



Memory Mapped IO used for GPIO

Lecture 2

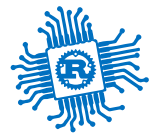


GPIO for RP2350

- Memory Mapped I/O
 - GPIO Peripheral
- Embedded Rust Stack
- embassy-rs



A few things about Rust



Variables in Rust: const

A few characteristics:

- **Usage:** For values known at compile time that will never change;
- **Immutable:** Constants cannot be changed after they are defined.
- **Compile-Time Known:** The value must be known at compile time.
- **Usual Location in Embedded:** Flash / ROM (with the code) - in other words - it is inlined (so no runtime allocation);
- **Naming Convention:** UPPER_SNAKE_CASE

```
//EXAMPLES
```

```
const MAX_UC_SPEED i16: 150;
```

```
const SECONDS_PER_HOUR: u32 = 3600;
```

```
const PI_VAL: f32 = 3.14159;
```

```
const MAGIC_NUMBER i64: 43248578;
```



Variables in Rust: let

A few characteristics:

- **Usage:** For values unknown at compile time that will not change once an initial value is set (for example- values that are read from a config file at boot time);
- **Immutable by Default:** Variables declared with `let` are immutable;
- **Runtime Known:** The value is determined at runtime, usually unknown at compile time;
- **Usual Location in Embedded:** Stored in SRAM (RAM) since it's allocated at runtime.
- **Naming Convention:** `snake_case`

```
1 //EXAMPLES
2
3 let board_id = get_board_id();
4
5 let WiFi_id = read_WiFi_id_from_config();
6
7 let AES_key: [u8; 32] = read_AES_key_from_OTP();
8 // AES-256 key
```



Variables in Rust: let mut

- **Usage:** For variables holding values that might change during program execution.
- **Mutable:** Variables declared with `let mut` are mutable and can be reassigned after initialization.
- **Runtime Known:** The value is determined at runtime, usually unknown at compile time;
- **Usual Location in Embedded:** Stored in SRAM (RAM) because it can change during program execution.
- **Naming Convention:** `snake_case`

```
1 //EXAMPLE
2
3 let mut signal = [0u8, 64];
4
5 loop {
6
7     read_adc_signal(&mut signal);
8     let mut max_fft_value = get_max_fft_value(&signal);
9
10 }
```



Variables: Copy in Rust

A few observations:

- Intuitive and simple for types that implement the

`Copy` trait:

- primitive types: `i32`, `f64`, `bool`, `char`
- tuples composed of primitive types
- You need to pay attention for types that do not implement the `Copy` trait. E.g.:
 - `String`
 - `Vec <_>`

```
//EXAMPLE with int
fn main() {
    let x: i32 = 128; // `x` is an integer (implements `Copy`
    let y: i32 = x; // y copies the value of x
    println!("x = {}, y = {}", x, y);
}
// Compiles & prints expected value

//EXAMPLE with String
fn main() {
    let wifi_name_1 = String::from("RoEduNet");
    // `wifi_name_1` owns the string
    let wifi_name_2 = wifi_name_1;
    // Ownership moves from `wifi_name_1` to `wifi_name_2`
    println!("{}", wifi_name_2);
    // Compiles & prints expected value
    println!("{}", wifi_name_1);
    // compiler ERROR: value borrowed after move
}
```



Variables: Solution for copy for String (example)

A few observations:

- `.clone()` performs a copy of the data
- Unlike a move, both `WiFiName_1` and `WiFiName_2` remain valid and independent of each other (as expected)
- you can do this on data types that support the `clone` method, e.g.:
 - `String`
 - `Vec <_>`

```
1 fn main() {
2     let wifi_name_1 = String::from("RoEduNet");
3     let wifi_name_2 = wifi_name_1.clone();
4     // Creates a copy (clone) of the string
5
6     println!("wifi_name_1 = {}", wifi_name_1);
7     println!("wifi_name_2 = {}", wifi_name_2);
8
9     // Both lines compiles & print expected value
10
11 }
```




Variables: Simple borrow example

- `&wifi_name_1` creates an immutable reference to `wifi_name_1` without transferring ownership.
- Both `wifi_name_1` and `wifi_name_2` can be used simultaneously.
- Since it's an immutable reference, you cannot modify `wifi_name_1` through `wifi_name_2`.

```
1 fn main() {
2     let wifi_name_1 = String::from("RoEduNet");
3     let wifi_name_2 = &wifi_name_1;
4     // Borrows wifi_name_1 (immutable reference)
5
6     println!("{}", wifi_name_2); //compiler drops the
7     println!("{}", wifi_name_1);
8     // Both lines compile & print expected value
9 }
10
11 fn main() {
12     let wifi_name_1 = String::from("RoEduNet");
13     let wifi_name_2 = &wifi_name_1;
14     // Borrows wifi_name_1 (immutable reference)
15
16     wifi_name_2.push_str("edu_roam");
17     //compiler error: cannot borrow `*wifi_name_2`
18     //as mutable, as it is behind a `&` reference
19
20     println!("{}", wifi_name_2);
21     println!("{}", wifi_name_1);
22     //code does not compile
23 }
```



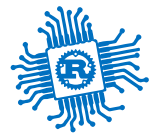
Variables: How to modify

```
1  fn main() {
2      let mut wifi_name_1 = String::from("RoEduNet");
3      //mutable so it can be modified.
4      let wifi_name_2 = &mut wifi_name_1; // Mut borrow
5
6      wifi_name_2.push_str("_5G");
7
8      println!("{}", wifi_name_2);
9      println!("{}", wifi_name_1);
10     //! NOTE: works with newer compiler versions
11     //(with non-lexical lifetimes (NLL) feature)
12
13 }
14
15 //EX2
16 fn main() {
17     let mut wifi_name_1 = String::from("RoEduNet");
18     let wifi_name_2 = &mut wifi_name_1 ;
19
20     wifi_name_2.push_str("_5G");
21
22     println!("{}", wifi_name_2);
23     println!("{}", wifi_name_1);
24     wifi_name_2.push_str("_high_speed");
25     //compiler error: cannot borrow `wifi_name_1`
26     //as immutable because it is also borrowed as mut
27 }
```



Variables: Functions

```
1  fn change_wifi_name (  
2      wifi_name: &mut String,  
3      string_to_append: &str  
4  ) {  
5      wifi_name.push_str(string_to_append);  
6  }  
7  
8  
9  fn main() {  
10     let mut wifi_name_1 = String::from("RoEduNet");  
11     let extra_name = "Fast_Network";  
12  
13     change_wifi_name(&mut wifi_name_1, extra_name);  
14  
15     println!("{}", wifi_name_1);  
16 }
```



Variables: Functions

```
1  fn change_wifi_name (wifi_name: &str, string_to_append: &str) -> String {
2
3      //let mut new_wifi = String::from(wifi_name);
4      //new_wifi.push_str(string_to_append)
5      //new_wifi
6
7      let new_wifi = format!("{}", wifi_name, string_to_append);
8      new_wifi
9  }
10
11
12 fn main() {
13     let wifi_name_1 = "RoEduNet";
14     let extra_name = "Fast_Network";
15
16     println!("{}", change_wifi_name(wifi_name_1, extra_name));
17
18 }
```



A look at the compiler

```
1 fn integer_division (a: isize, b: isize) -> isize {
2     a / b
3 }
4
5 fn main () {
6     let x = 120;
7     let y = 0;
8
9     println! ("{}: {} = {}",
10    x, y, integer_division (x, y));
11
12 }
```

```
1 ...
2 ...
3
4 bb2: {
5     _4 = Eq(copy _2, const 0_isize);
6     assert(!move _4, "attempt to divide `{}`
7 by zero", copy _1) ->
8 [success: bb3, unwind continue];
9 }
10
11 bb3: {
12     _5 = Eq(copy _2, const -1_isize);
13     _6 = Eq(copy _1, const isize::MIN);
14     _7 = BitAnd(move _5, move _6);
15     assert(!move _7, "attempt to compute `{}` / `{}`,
16 which would overflow", copy _1, copy _2) ->
17 [success: bb4, unwind continue];
18 }
19
20 ...
21 ...
```



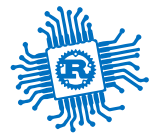
A better way to do this

```
1 fn integer_division(a: isize, b: isize) -> Option<isize> {
2     if b == 0 {
3         None
4     } else {
5         Some(a / b)
6     }
7 }
8
9 fn main() {
10     let x = 120;
11     let y = 0;
12     match integer_division(x, y) {
13         Some(d) => println!("{}", x / y = d),
14         None => println!("division by 0"),
15     }
16     println!("{}", x / y = {:?});
17 }
```



Bitwise Ops

How to set and clear bits



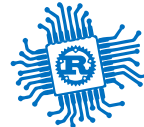
Set bit

set the **1** on position **bit** of **register**

```
1 fn set_bit(register: usize, bit: u8) -> usize {
2     // assume register is 0b1000, bit is 2
3     // 1 << 2 is 0b0100
4     // 0b1000 | 0b0100 is 0b1100
5     register | 1 << bit
6 }
```

Set multiple bits

```
1 fn set_bits(register: usize, bits: usize) -> usize {
2     // assume register is 0b1000, bits is 0b0111
3     // 0b1000 | 0b0111 is 0b1111
4     register | bits
5 }
```

Clear bit

Set the `0` on position `bit` of `register`

```
1 fn clear_bit(register: usize, bit: u8) -> usize {
2     // assume register is 0b1100, bit is 2
3     // 1 << 2 is 0b0100
4     // !(1 << 2) is 0b1011
5     // 0b1100 & 0b1011 is 0b1000
6     register & !(1 << bit)
7 }
```

Clear multiple bits

```
1 fn clear_bits(register: usize, bits: usize) -> usize {
2     // assume register is 0b1111, bits is 0b0111
3     // !bits = 0b1000
4     // 0b1111 & 0b1000 is 0b1000
5     register & !bits
6 }
```



Flip bit

Flip the bit on position `bit` of `register`

```
1 fn flip_bit(register: usize, bit: u8) -> usize {
2     // assume register is 0b1000, bit is 2
3     // 1 << 2 is 0b0100
4     // 0b1100 ^ 0b0100 is 0b1000
5     register ^ 1 << bit
6 }
```

Flip multiple bits

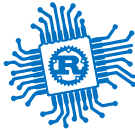
```
1 fn flip_bits(register: usize, bits: usize) -> usize {
2     // assume register is 0b1000, bits is 0b0111
3     // 0b1000 ^ 0b0111 is 0b1111
4     register ^ bits
5 }
```



Let's see a combined operation for value extraction

- We presume an 32 bits ID = `0b1100_1010_1111_1100_0000_1111_0110_1101`
- And want to extract a portion `0b1100_1010_1111_1100_0000_1111_0110_1101`

```
1  const MASK: u32 = 0b0000_0000_0000_0000_0000_1111_1111_1111;
2
3  fn print_binary(label: &str, num: u32) {
4      println!("{}", num);
5  }
6
7  fn main() {
8      let large_id: u32 = 0b1100_1010_1111_1100_0000_1111_0110_1101;
9      let extracted_bits = (large_id >> 20) & MASK;
10
11     // Print values in binary
12     print_binary("Original_", large_id);
13     print_binary("Mask_____", MASK);
14     print_binary("Extracted", extracted_bits);
15 }
16 /* RESULT
17 Original_: 11001010111111000000111101101101
18 Mask_____: 00000000000000000000111111111111
19 Extracted: 00000000000000000000110010101111 */
```



With nice formatting

```
1  const MASK: u32 = 0b0000_0000_0000_0000_0000_1111_1111_1111;
2  fn format_binary(num: u32) -> String {
3      (0..32).rev()
4          .map(|i| {
5              if i != 0 && i % 4 == 0 {
6                  format!("{}", (num >> i) & 1)
7              } else {
8                  format!("{}", (num >> i) & 1)
9              }
10         })
11         .collect::<Vec<_>>()
12         .join("")
13     }
14 fn print_binary(label: &str, num: u32) { println!("{}", label, format_binary(num));}
15 fn main() {
16     let large_id: u32 = 0b1100_1010_1111_1100_0000_1111_0110_1101;
17     let extracted_bits = (large_id >> 20) & MASK;
18     print_binary("Original_", large_id);
19     print_binary("Extracted", extracted_bits);
20 }
21 /* RESULTS:
22 Original_: 1100_1010_1111_1100_0000_1111_0110_1101
23 Extracted: 0000_0000_0000_0000_0000_1100_1010_1111 */
```



Bitwise Ops - in C

Set the 1 on position bit of register in C

```
1 unsigned int set_bit(unsigned int register_value, unsigned char bit) {
2     // assume register_value is 0b1000, bit is 2
3     // 1 << 2 is 0b0100
4     // 0b1000 | 0b0100 is 0b1100
5     return register_value | (1 << bit);
6 }
```

Set multiple bits

```
1 unsigned int set_bits(unsigned int register_value, unsigned int bits) {
2     // assume register_value is 0b1000, bits is 0b0111
3     // 0b1000 | 0b0111 is 0b1111
4     return register_value | bits;
5 }
```



(test code)

```
1  #include <stdio.h>
2
3  void print_binary(unsigned int num) {
4      for (int i = sizeof(num) * 8 - 1; i >= 0; i--) {
5          printf("%c", (num & (1 << i)) ? '1' : '0');
6      }
7      printf("\n"); //prints "num" number in binary format
8  }
9
10 unsigned int set_bits(unsigned int register_value, unsigned int bits) {
11     return register_value | bits;
12 }
13
14 int main() {
15     unsigned int reg = 0b1000;
16     unsigned int bits_to_set = 0b0011;
17
18     unsigned int result = set_bits(reg, bits_to_set);
19
20     printf("Register before: ");    print_binary(reg);
21     printf("Bits to set:      ");    print_binary(bits_to_set);
22     printf("Result after:      ");    print_binary(result);
23     return 0;
24 }
```



Combined operation for value extraction in C

```
1  #include <stdio.h>
2  void print_binary(const char *label, unsigned int num) {
3      printf("%s: ", label);
4      for (int i = 31; i >= 0; i--) {
5          printf("%c", (num & (1 << i)) ? '1' : '0');
6      }
7      printf("\n");
8  }
9
10 int main() {
11     unsigned int large_id = 0b11001010111111000000111101101101;
12     unsigned int mask = 0b00000000000000000000111111111111;
13     unsigned int extracted_bits = (large_id >> 20) & mask;
14
15     print_binary("Original_", large_id);
16     print_binary("Mask_____", mask);
17     print_binary("Extracted", extracted_bits);
18
19     return 0;
20 }
21 //RESULT
22 //Original_: 11001010111111000000111101101101
23 //Mask_____: 00000000000000000000111111111111
24 //Extracted: 00000000000000000000110010101111
```



With nice formatting

```
1  #include <stdio.h>
2  void print_binary(const char *label, unsigned int num) {
3      printf("%s: ", label);
4      for (int i = 31; i >= 0; i--) {
5          printf("%c", (num & (1 << i)) ? '1' : '0');
6          if (i % 4 == 0 && i != 0) { printf("_"); }
7      }
8      printf("\n");
9  }
10 int main() {
11     unsigned int large_id = 0b11001010111111000000111101101101;
12     unsigned int mask = 0b00000000000000000000111111111111;
13     unsigned int extracted_bits = (large_id >> 20) & mask;
14
15     print_binary("Original_", large_id);
16     print_binary("Mask_____", mask);
17     print_binary("Extracted", extracted_bits);
18
19     return 0;
20 }
21 //RESULTS
22 //Original_: 1100_1010_1111_1100_0000_1111_0110_1101
23 //Mask_____: 0000_0000_0000_0000_0000_1111_1111_1111
24 //Extracted: 0000_0000_0000_0000_0000_1100_1010_1111
```



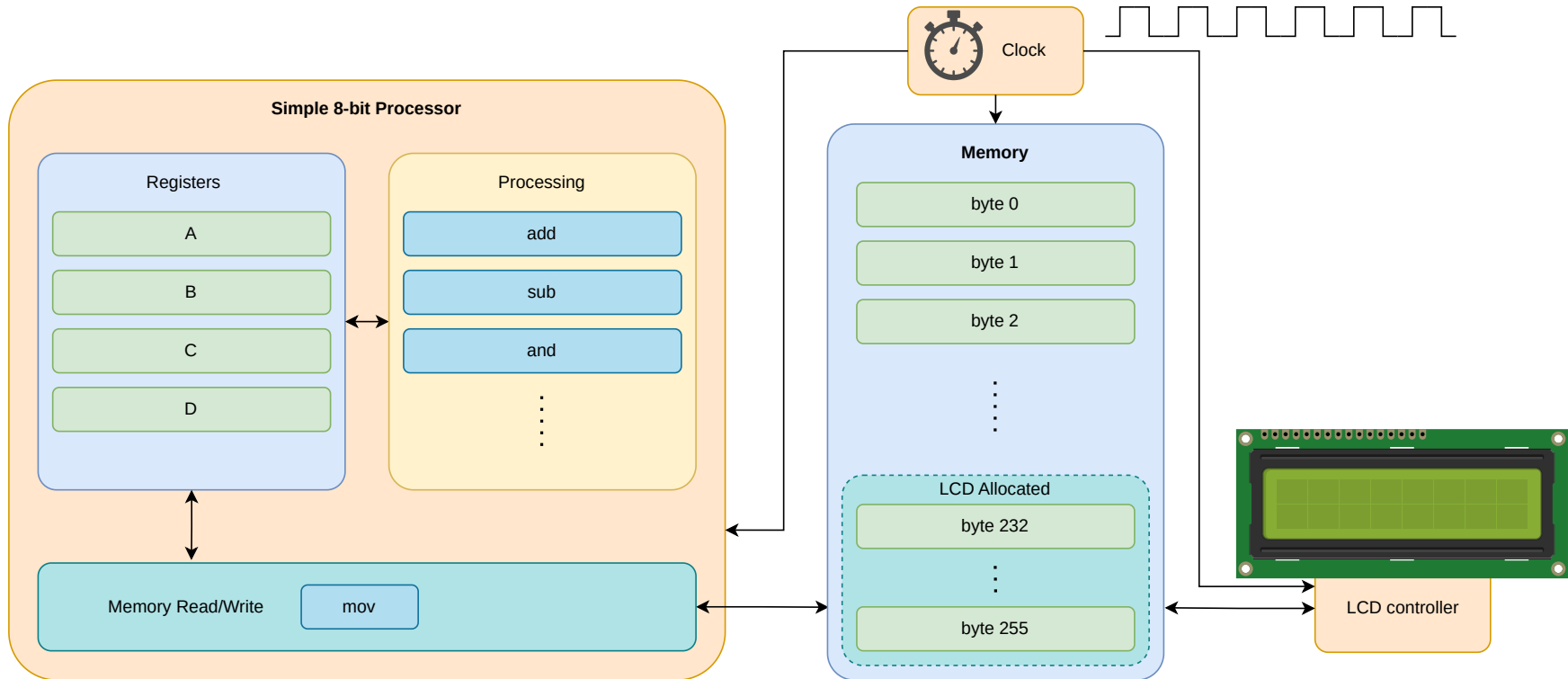

MMIO

Memory Mapped Input Output



8 bit processor

a simple 8 bit processor with a text display

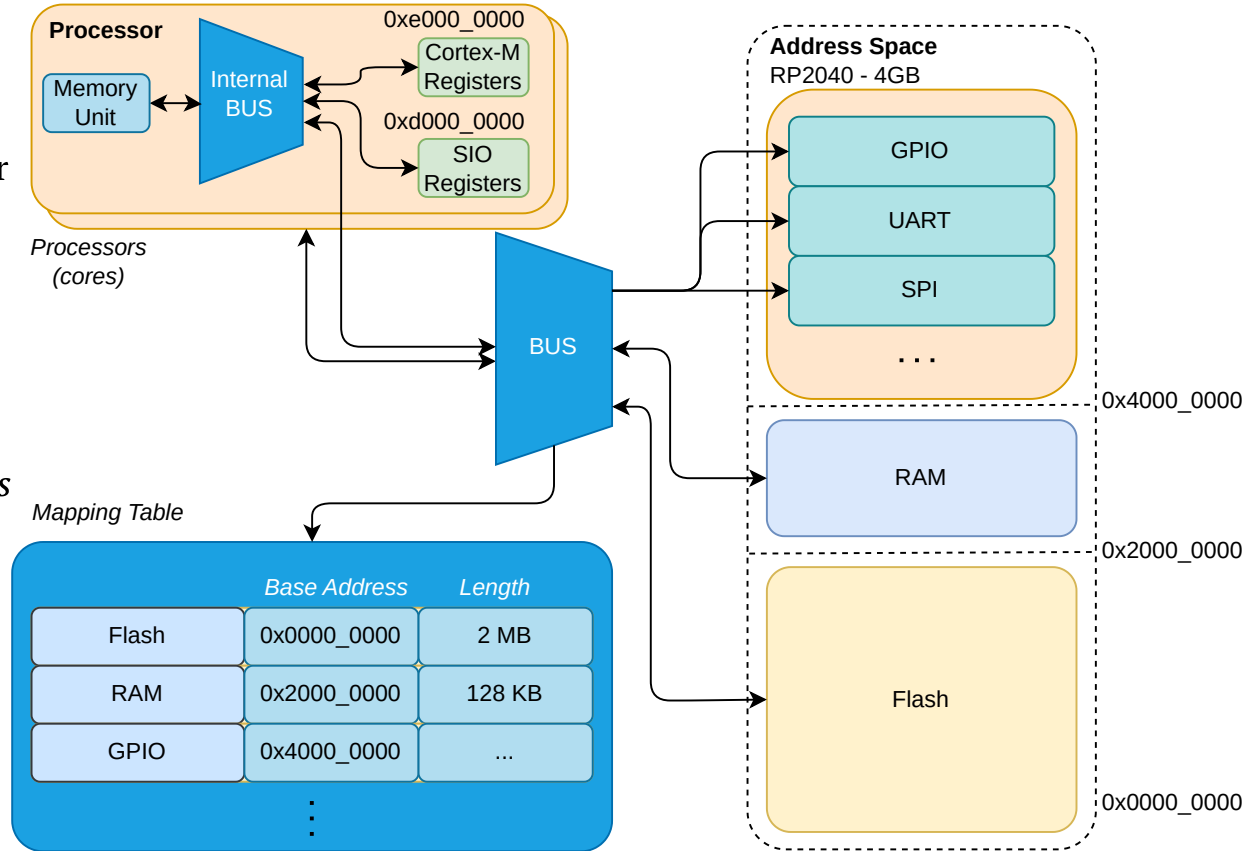




The Bus

example for RP2

1. **Memory Controller** asks for data transfer
2. **Internal Bus Routes** the request
 - to the *External Bus* or
 - to the *Internal Peripherals*
3. **External Bus Routes** the request based on the *Address Mapping Table*
 1. to **RAM**
 2. to **Flash**
 3. to an **External Peripheral**

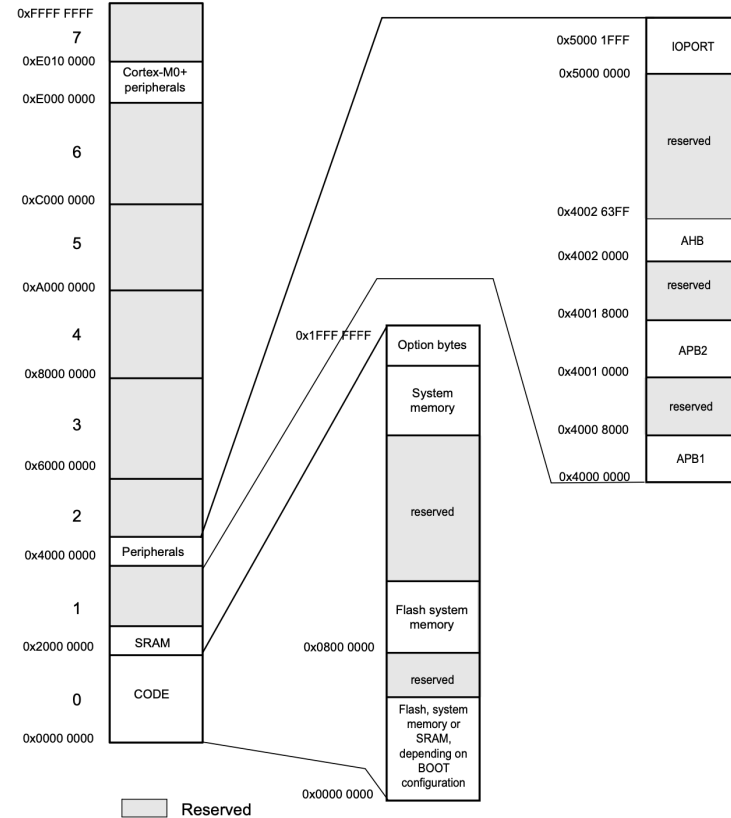




STM32L0x2

A real MCU

Cortex-M0+ Peripherals	MCU's <i>settings</i> and internal peripherals, available at the same address on all M0+
Peripherals	GPIO, USART, SPI, I2C, USB, etc
Flash	The storage space
SRAM	RAM memory
@0x0000_0000	Alias for SRAM or Flash





System Control Registers

Cortex-M0+^[1] SCR Peripheral @0xe000_0000

Compute the actual address

$$e000_0000_{(16)} + register_offset$$

Register Examples:

- **SYST_CSR: 0xe000_e010** ($0xe000_0000 + 0xe010$)
- **CPUID: 0xe000_ed00** ($0xe000_0000 + 0xed00$)

```
const SYS_CTRL_ADDR: usize = 0xe000_0000;
const CPUID_OFFSET: usize = 0xed00;

let cpuid_reg = (SYS_CTRL_ADDR+CPUID_OFFSET) as *const u32;
let cpuid_value = unsafe { *cpuid_reg };
// or
let cpuid_value = unsafe { cpuid_reg.read() };
```

⚠ Compilers optimize code and processors use cache!

Offset	Name	Info
0xe010	SYST_CSR	SysTick Control and Status Register
0xe014	SYST_RVR	SysTick Reload Value Register
0xe018	SYST_CVR	SysTick Current Value Register
0xe01c	SYST_CALIB	SysTick Calibration Value Register
0xe100	NVIC_IJSER	Interrupt Set-Enable Register
0xe180	NVIC_ICER	Interrupt Clear-Enable Register
0xe200	NVIC_ISPR	Interrupt Set-Pending Register
0xe280	NVIC_ICPR	Interrupt Clear-Pending Register
0xe400	NVIC_IPR0	Interrupt Priority Register 0
0xe404	NVIC_IPR1	Interrupt Priority Register 1
0xe408	NVIC_IPR2	Interrupt Priority Register 2
0xe40c	NVIC_IPR3	Interrupt Priority Register 3
0xe410	NVIC_IPR4	Interrupt Priority Register 4
0xe414	NVIC_IPR5	Interrupt Priority Register 5
0xe418	NVIC_IPR6	Interrupt Priority Register 6
0xe41c	NVIC_IPR7	Interrupt Priority Register 7
0xed00	CPUID	CPUID Base Register
0xed04	ICSR	Interrupt Control and State Register
0xed08	VTOR	Vector Table Offset Register
0xed0c	AIRCR	Application Interrupt and Reset Control Register
0xed10	SCR	System Control Register
0xed14	CCR	Configuration and Control Register

1. Cortex-M33 has some additional registers ↔



Compiler Optimization

compilers optimize code

Write bytes to the `UART` (serial port) data register

```
1 // we use mut as we need to write to it
2 const UART_TX: *mut u8 = 0x4003_4000 as *mut u8;
3 // b".." means ASCII string (Rust uses UTF-8 strings by default)
4 for character in b"Hello, World".iter() {
5     // character is &char, so we use *character to get the value
6     unsafe { UART_TX.write(*character); }
7 }
```

1. The compiler does not know that `UART_TX` is a register and uses it as a memory address.
2. Writing several values to the same memory address will result in having the last value stored at that address.
3. The compiler optimizes the code write the value

```
1 const UART_TX: *mut u8 = 0x4003_4000;
2 unsafe { UART_TX.write(b'd'); }
```



No Compiler Optimization

CPUID: `0xe000_ed00` (`0xe000_0000 + 0xed00`)

```
use core::ptr::read_volatile;

const SYS_CTRL_ADDR: usize = 0xe000_0000;
const CPUID_OFST: usize = 0xed00;

let cpuid_reg = (SYS_CTRL_ADDR + CPUID_OFST) as *const u32;
unsafe {
    // avoid compiler optimization
    read_volatile(cpuid_reg)
}
```

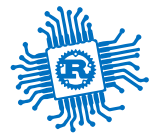
`read_volatile`,
`write_volatile`

**no compiler
optimization**

`read`, `write`, `*p`

**use compiler
optimization**

Offset	Name	Info
0xe010	SYST_CSR	SysTick Control and Status Register
0xe014	SYST_RVR	SysTick Reload Value Register
0xe018	SYST_CVR	SysTick Current Value Register
0xe01c	SYST_CALIB	SysTick Calibration Value Register
0xe100	NVIC_IJSER	Interrupt Set-Enable Register
0xe180	NVIC_ICER	Interrupt Clear-Enable Register
0xe200	NVIC_ISPR	Interrupt Set-Pending Register
0xe280	NVIC_ICPR	Interrupt Clear-Pending Register
0xe400	NVIC_IPR0	Interrupt Priority Register 0
0xe404	NVIC_IPR1	Interrupt Priority Register 1
0xe408	NVIC_IPR2	Interrupt Priority Register 2
0xe40c	NVIC_IPR3	Interrupt Priority Register 3
0xe410	NVIC_IPR4	Interrupt Priority Register 4
0xe414	NVIC_IPR5	Interrupt Priority Register 5
0xe418	NVIC_IPR6	Interrupt Priority Register 6
0xe41c	NVIC_IPR7	Interrupt Priority Register 7
0xed00	CPUID	CPUID Base Register
0xed04	ICSR	Interrupt Control and State Register
0xed08	VTOR	Vector Table Offset Register
0xed0c	AIRCR	Application Interrupt and Reset Control Register
0xed10	SCR	System Control Register
0xed14	CCR	Configuration and Control Register



No Compiler Optimization

Write bytes to the `UART` (serial port) data register

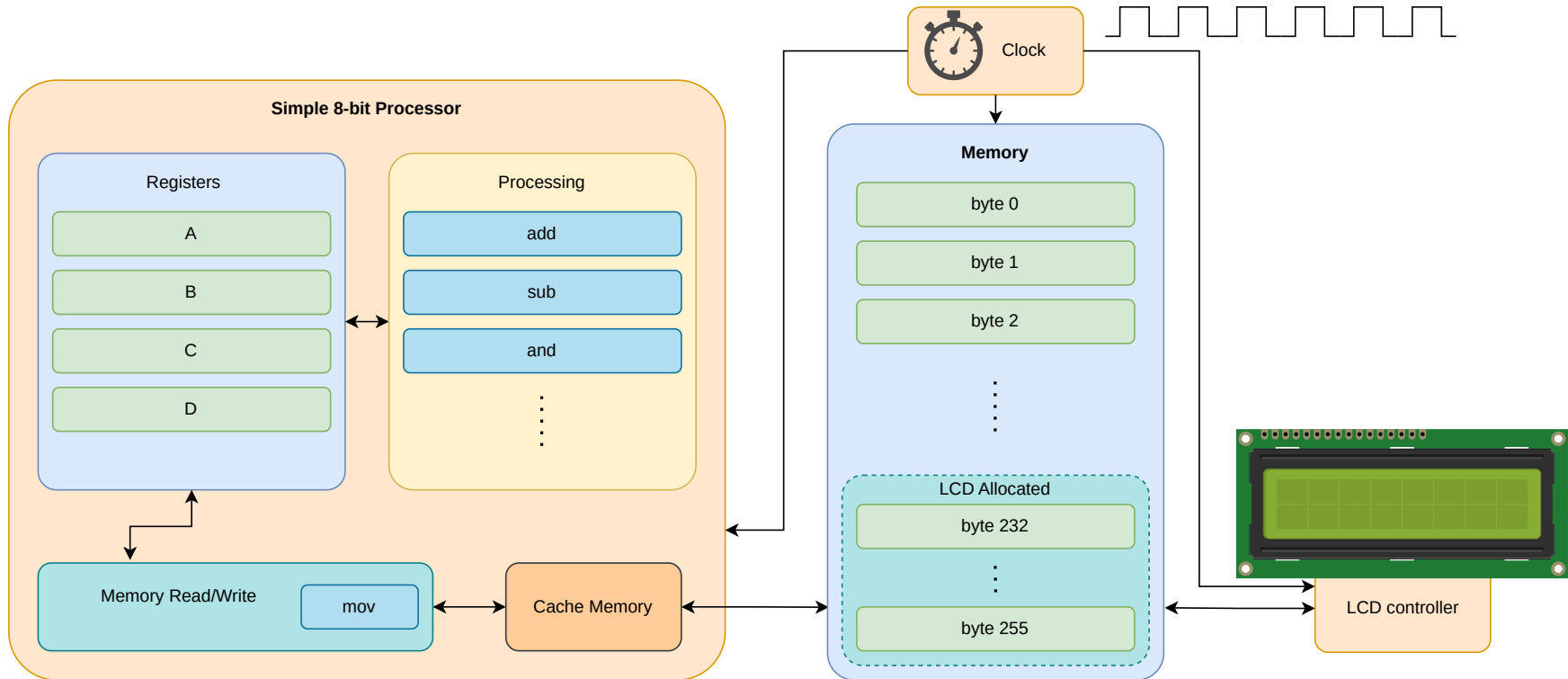
```
1 use core::ptr::write_volatile;
2
3 // we use mut as we need to write to it
4 const UART_TX: *mut u8 = 0x4003_4000 as *mut u8;
5 // b".." means ASCII string (Rust uses UTF-8 strings by default)
6 for character in b"Hello, World".iter() {
7     // character is &char, so we use *character to get the value
8     unsafe { write_volatile(UART_TX, *character); }
9 }
```

The compiler **knows** that `UART_TX` **must be written** every time.



8 bit processor

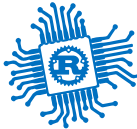
with cache





No Cache or Flush Cache

- Cache types:
 - *write-through* - data is written to the cache and to the main memory (bus)
 - *write-back* - data is written to the cache and later to the main memory (bus)
- few Cortex-M MCUs have cache
- the Memory Mapped I/O region is set as *nocache*
- for chips that use cache
 - *nocache* regions have to be set manually (if MCU knows)
 - or, the cache has to be flushed before a `volatile_read` and after a `volatile_write`
 - beware DMA controllers that can't see the cache contents



Read the CPUID

About the MCU

```
use core::ptr::read_volatile;

const SYS_CTRL_ADDR: usize = 0xe000_0000;
const CPUID_OFST: usize = 0xed00;

let cpuid_reg = (SYS_CTRL_ADDR+CPUID_OFST) as *const u32;
let cpuid_value = unsafe {
    read_volatile(cpuid_reg)
};

// shift right 24 bits and keep only the last 8 bits
let variant = (cpuid_value >> 24) & 0b1111_1111;

// shift right 16 bits and keep only the last 4 bits
let architecture = (cpuid_value >> 16) & 0b1111;

// shift right 4 bits and keep only the last 12 bits
let part_no = (cpuid_value >> 4) & 0b1111_1111_1111;

// shift right 0 bits and keep only the last 4 bits
let revision = (cpuid_value >> 0) & 0b1111;
```

CPUID Register

Offset: 0xed00

Bits	Name	Description	Type	Reset
31:24	IMPLEMENTER	Implementor code: 0x41 = ARM	RO	0x41
23:20	VARIANT	Major revision number n in the rmpm revision status: 0x0 = Revision 0.	RO	0x0
19:16	ARCHITECTURE	Constant that defines the architecture of the processor: 0xC = ARMv6-M architecture.	RO	0xc
15:4	PARTNO	Number of processor within family: 0xC60 = Cortex-M0+	RO	0xc60
3:0	REVISION	Minor revision number m in the rmpm revision status: 0x1 = Patch 1.	RO	0x1



AIRCR

Application Interrupt and Reset Control Register

```
use core::ptr::read_volatile;
use core::ptr::write_volatile;

const SYS_CTRL_ADDR: usize = 0xe000_0000;
const AIRCR_OFST: usize = 0xed0c;

const VECTKEY_POS: u32 = 16;
const SYSRESETREQ_POS: u32 = 2;

let aircr_register = (SYS_CTRL + AIRCR) as *mut u32;
let mut aircr_value = unsafe {
    read_volatile(aircr_register)
};

aircr_value = aircr_value & !(0xffff << VECTKEY_POS);
aircr_value = aircr_value | (0x05fa << VECTKEY_POS);
aircr_value = aircr_value | (1 << SYSRESETREQ_POS);

unsafe {
    write_volatile(aircr_register, aircr_value);
}
```

AIRCR Register

Offset: 0xed0c

Bits	Name	Description	Type	Reset
31:16	VECTKEY	Register key: Reads as Unknown On writes, write 0x05FA to VECTKEY, otherwise the write is ignored.	RW	0x0000
15	ENDIANESS	Data endianness implemented: 0 = Little-endian.	RO	0x0
14:3	Reserved.	-	-	-

Bits	Name	Description	Type	Reset
2	SYSRESETREQ	Writing 1 to this bit causes the SYSRESETREQ signal to the outer system to be asserted to request a reset. The intention is to force a large system reset of all major components except for debug. The C_HALT bit in the DHCSR is cleared as a result of the system reset requested. The debugger does not lose contact with the device.	RW	0x0
1	VECTCLRACTIVE	Clears all active state information for fixed and configurable exceptions. This bit is self-clearing, can only be set by the DAP when the core is halted. When set: clears all active exception status of the processor, forces a return to Thread mode, forces an IPSR of 0. A debugger must re-initialize the stack.	RW	0x0
0	Reserved.	-	-	-



Read and Write

they do stuff

- Read
 - reads the value of a register
 - might ask the peripheral to do something
- Write
 - writes the value to a register
 - might ask the peripheral to do something
 - `SYSRESETREQ`

AIRCR Register

Offset: 0xed0c

Bits	Name	Description	Type	Reset
31:16	VECTKEY	Register key: Reads as Unknown On writes, write 0x05FA to VECTKEY, otherwise the write is ignored.	RW	0x0000
15	ENDIANESS	Data endianness implemented: 0 = Little-endian.	RO	0x0
14:3	Reserved.	-	-	-

Bits	Name	Description	Type	Reset
2	SYSRESETREQ	Writing 1 to this bit causes the SYSRESETREQ signal to the outer system to be asserted to request a reset. The intention is to force a large system reset of all major components except for debug. The C_HALT bit in the DHCSR is cleared as a result of the system reset requested. The debugger does not lose contact with the device.	RW	0x0
1	VECTCLRACTIVE	Clears all active state information for fixed and configurable exceptions. This bit is self-clearing, can only be set by the DAP when the core is halted. When set: clears all active exception status of the processor, forces a return to Thread mode, forces an IPSR of 0. A debugger must re-initialize the stack.	RW	0x0
0	Reserved.	-	-	-



SVD XML File

System View Description

```
1  <device schemaVersion="1.1"
2    xmlns:xs="http://www.w3.org/2001/XMLSchema-instance" xs:noNamespaceSchemaLocation="CMSIS-SVD.xsd">
3    <name>RP2040</name>
4    <peripherals>
5      <name>PPB</name>
6      <baseAddress>0xe0000000</baseAddress>
7      <register>
8        <name>CPUID</name>
9        <addressOffset>0xed00</addressOffset>
10       <resetValue>0x410cc601</resetValue>
11       <fields>
12         <field>
13           <name>IMPLEMENTER</name>
14           <description>Implementor code: 0x41 = ARM</description>
15           <bitRange>[31:24]</bitRange>
16           <access>read-only</access>
17         </field>
18         <!-- rest of the fields of the register -->
19       </fields>
20     </register>
21   </peripherals>
22 </device>
```



tock-registers

define registers format

```
1 use tock_registers::register_bitfields;
2 register_bitfields! {u32,
3     CPUID [
4         IMPLEMENTER OFFSET(24) NUMBITS(8) [],
5         VARIANT OFFSET(20) NUMBITS(4) [],
6         ARCHITECTURE OFFSET(16) NUMBITS(4) [
7             ARM_V6_M = 0xc,
8             ARM_V8_M = 0xa
9         ],
10        PARTNO OFFSET(4) NUMBITS(12) [
11            CORTEX_M0P = 0xc60,
12            CORTEX_M33 = 0xd21
13        ],
14        REVISION OFFSET(0) NUMBITS(2) []
15    ],
16    AIRCR [
17        VECTKEY OFFSET(16) NUMBITS(8) [KEY = 0x05fa],
18        ENDIANESS OFFSET(15) NUMBITS(1) [],
19        SYSRESETREQ OFFSET(2) NUMBITS(1) [],
20        VECTCLRACTIVE OFFSET(1) NUMBITS(1) []
21    ]
22 }
```

Bits	Name	Description	Type	Reset
31:24	IMPLEMENTER	Implementor code: 0x41 = ARM	RO	0x41
23:20	VARIANT	Major revision number n in the rmpm revision status: 0x0 = Revision 0.	RO	0x0
19:16	ARCHITECTURE	Constant that defines the architecture of the processor: 0xC = ARMv6-M architecture.	RO	0xc
15:4	PARTNO	Number of processor within family: 0xC60 = Cortex-M0+	RO	0xc60
3:0	REVISION	Minor revision number m in the rmpm revision status: 0x1 = Patch 1.	RO	0x1

Bits	Name	Description	Type	Reset
31:16	VECTKEY	Register key: Reads as Unknown On writes, write 0x05FA to VECTKEY, otherwise the write is ignored.	RW	0x0000
15	ENDIANESS	Data endianness implemented: 0 = Little-endian.	RO	0x0
14:3	Reserved.	-	-	-



tock-registers

define a structure for the peripheral

```
use tock_registers::register_structs;
use tock_registers::registers::{ReadOnly, ReadWrite};

// generates a C-style SysCtrl struct
register_structs! {
SysCtrl {
    // we registers up to 0xed00
    (0x0000 => _reserved1),
    // we define the CPUID register
    (0xed00 => cpuid: ReadOnly<u32, CPUID::Register>),
    // we registers up to 0xed
    (0xed04 => _reserved2),
    // we define the AIRCR register
    (0xed0c => aircr: ReadWrite<u32, AIRCR::Register>),
    // we ignore the rest of the registers
    (0xed10 => @END),
}
}
```

Offset	Name	Info
0xe010	SYST_CSR	SysTick Control and Status Register
0xe014	SYST_RVR	SysTick Reload Value Register
0xe018	SYST_CVR	SysTick Current Value Register
0xe01c	SYST_CALIB	SysTick Calibration Value Register
0xe100	NVIC_IJER	Interrupt Set-Enable Register
0xe180	NVIC_ICER	Interrupt Clear-Enable Register
0xe200	NVIC_ISPR	Interrupt Set-Pending Register
0xe280	NVIC_ICPR	Interrupt Clear-Pending Register
0xe400	NVIC_IPR0	Interrupt Priority Register 0
0xe404	NVIC_IPR1	Interrupt Priority Register 1
0xe408	NVIC_IPR2	Interrupt Priority Register 2
0xe40c	NVIC_IPR3	Interrupt Priority Register 3
0xe410	NVIC_IPR4	Interrupt Priority Register 4
0xe414	NVIC_IPR5	Interrupt Priority Register 5
0xe418	NVIC_IPR6	Interrupt Priority Register 6
0xe41c	NVIC_IPR7	Interrupt Priority Register 7
0xed00	CPUID	CPUID Base Register
0xed04	ICSR	Interrupt Control and State Register
0xed08	VTOR	Vector Table Offset Register
0xed0c	AIRCR	Application Interrupt and Reset Control Register
0xed10	SCR	System Control Register
0xed14	CCR	Configuration and Control Register



Reset the processor

using `tock-registers`

```
1  const SYS_CTRL_ADDR: usize = 0xe000_0000;
2
3  register_bitfields! {u32,
4      // ...
5      AIRCR [
6          VECTKEY OFFSET(16) NUMBITS(8) [KEY = 0x05fa],
7          ENDIANESS OFFSET(15) NUMBITS(1) [],
8          SYSRESETRREQ OFFSET(2) NUMBITS(1) [],
9          VECTCLRACTIVE OFFSET(1) NUMBITS(1) []
10     ]
11 }
12
13 register_structs! {
14     SysCtrl {
15         (0xed0c => aircr: ReadWrite<u32, AIRCR::Register>),
16     }
17 }
18
19 let sys_ctrl = unsafe { &*(SYS_CTRL_ADDR as *const SysCtrl) }; // C: struct SysCtrl *sys_ctrl = SYS_CTRL_ADDR;
20
21 sys_ctrl.aircr
22     .modify(AIRCR::VECTKEY::KEY + AIRCR::SYSRESETRREQ::SET);
```



Read the CPUID

using `tock-registers`

```
1  const SYS_CTRL_ADDR: usize = 0xe000_0000;
2  register_bitfields! {u32,
3      CPUID [
4          IMPLEMENTER OFFSET(24) NUMBITS(8) [],
5          VARIANT OFFSET(20) NUMBITS(4) [],
6          ARCHITECTURE OFFSET(16) NUMBITS(4) [ARMv6M = 0xc, ARMv8M0 = 0xa],
7          PARTNO OFFSET(4) NUMBITS(12) [CORTEX_M0P = 0xc60, CORTEX_M33 = 0xd21],
8          REVISION OFFSET(0) NUMBITS(2) []
9      ],
10     // ...
11 }
12 let sys_ctrl = unsafe { &*(SYS_CTRL_ADDR as *const SysCtrl) };
13
14 let variant = sys_ctrl.cpuid.read(CPUID::VARIANT);
15 let revision = sys_ctrl.cpuid.read(CPUID::REVISION);
16 let architecture = sys_ctrl.cpuid.read(CPUID::ARCHITECTURE);
17 let part_no = sys_ctrl.cpuid.read(CPUID::PARTNO);
18
19 if part_no == CPUID::PARTNO::Value::CORTEX_M0P as u32 {
20     // this is a Cortex-M0+
21 } else if part_no == CPUID::PARTNO::Value::CORTEX_M33 as u32 {
```



GPIO

General Purpose Input Output - Why



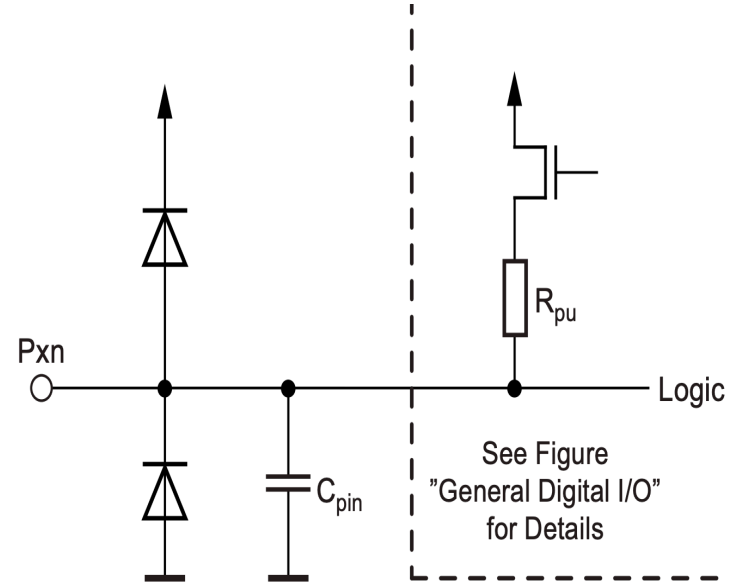
Why GPIO can be complex

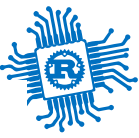
This is a minimalistic representation of a typical GPIO pin

the diodes are typical over and under voltage protections

C represents the typical "parasitic" capacity

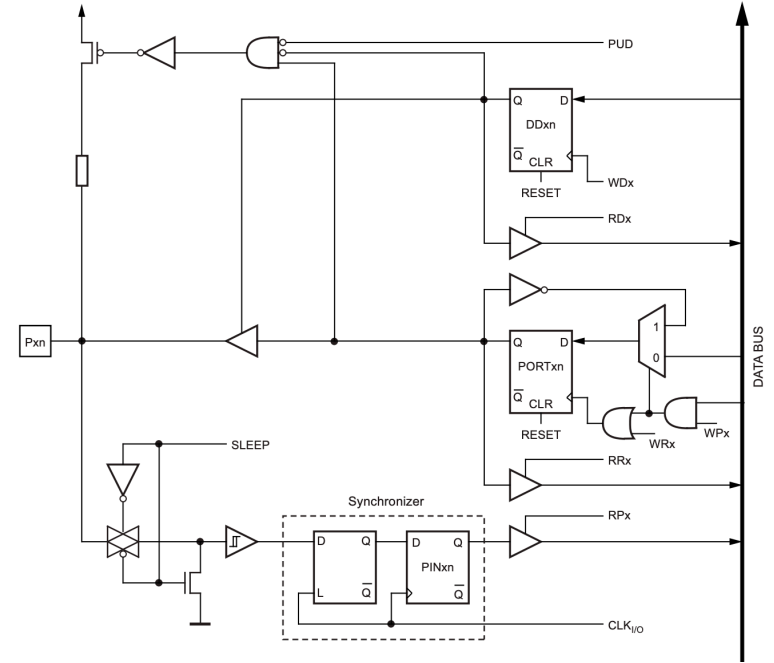
R_{pu} = Pull-up Resistor with a transistor for on/ off towards the positive supply rail





AVR 328P GPIO

- PUD: PULLUP DISABLE
- SLEEP: SLEEP CONTROL
- CLKI/O: I/O CLOCK
- WD_x : WRITE DDR_x
- RD_x : READ DDR_x
- WR_x : WRITE $PORT_x$
- RR_x : READ $PORT_x$ REGISTER
- RP_x : READ $PORT_x$ PIN
- WP_x : WRITE PIN_x REGISTER





GPIO on AVR

A simple GPIO

(Note: unlike ARM, AVR is port-mapped)



GPIO on AVR (the simple version)

There are three registers associated with the operation of port pins as digital I/Os:

DDRx - Data Direction Register. If the data direction bit is 0, the pin is an input. 1 is an output.

```
1  DDRB &= ~(1<<DDB7); // Makes pin PB7 an input
2  DDRB |= (1<<DDB5); // Makes pin PB5 an output
```

PORTx - Port Data Register. If a pin is configured as an output, setting the corresponding bit to 1 makes the pin output high. 0 makes the output low.

```
1  PORTB |= (1<<PORTB5); // makes pin B5 high (e.g.: a LED would turn on)
```

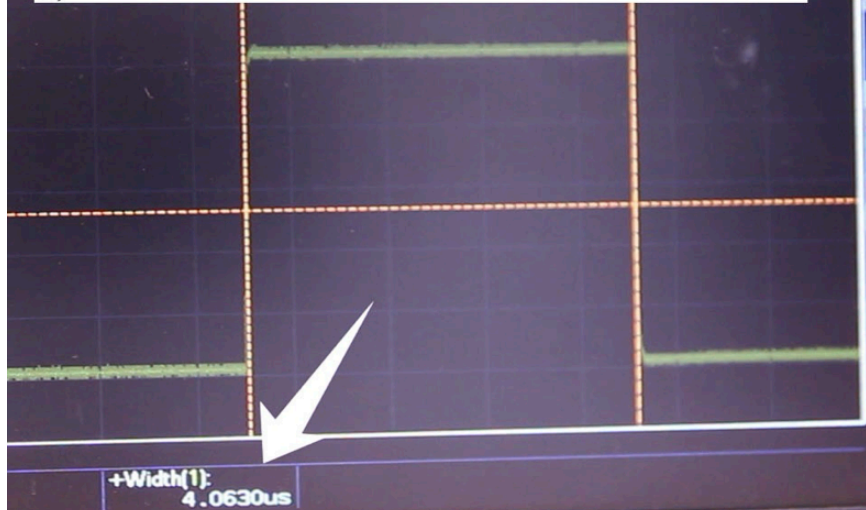
PINx - Port Pin Register. Used to read the pin state.

```
1  if (PINB & (1<<PINB7) == 1) { ... } // pin B7 reads a high value
```



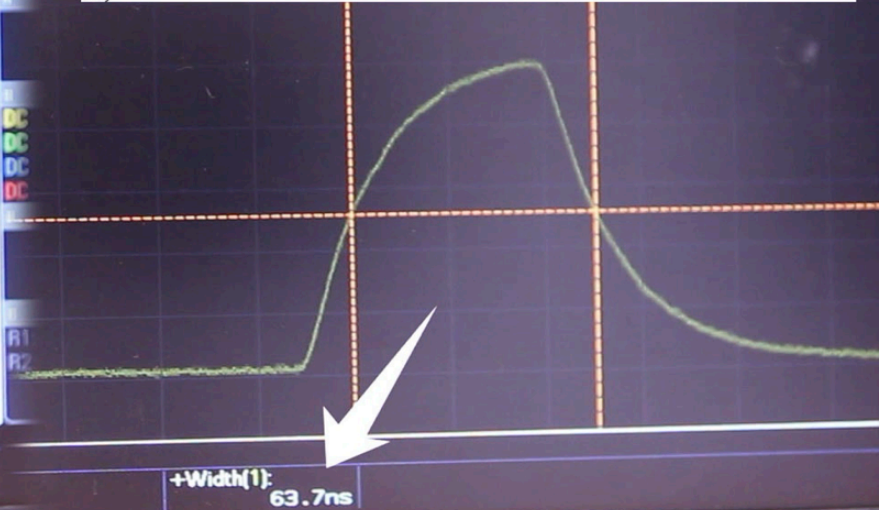
Why bare-metal and not just Arduino-style

```
1 void setup() {  
2   pinMode(9, OUTPUT);    //Set D9 as OUTPUT  
3 }  
4  
5 void loop() {  
6   digitalWrite(9, HIGH); //Set D9 to HIGH  
7   digitalWrite(9, LOW);  //Set D9 to LOW  
8   delay(5);              //To separate the pulses  
9 }
```



with digitalWrite()

```
1 void setup() {  
2   DDRB = B00000010;    //Set D9 as OUTPUT  
3 }  
4  
5 void loop() {  
6   PORTB = B00000010;   //Set D9 to HIGH  
7   PORTB = B00000000;   //Set D9 to LOW  
8   delay(5);           //To separate the pulses  
9 }
```



with register control





GPIO

General Purpose Input Output for RP2040

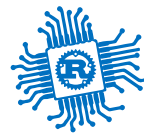


Bibliography

for this section

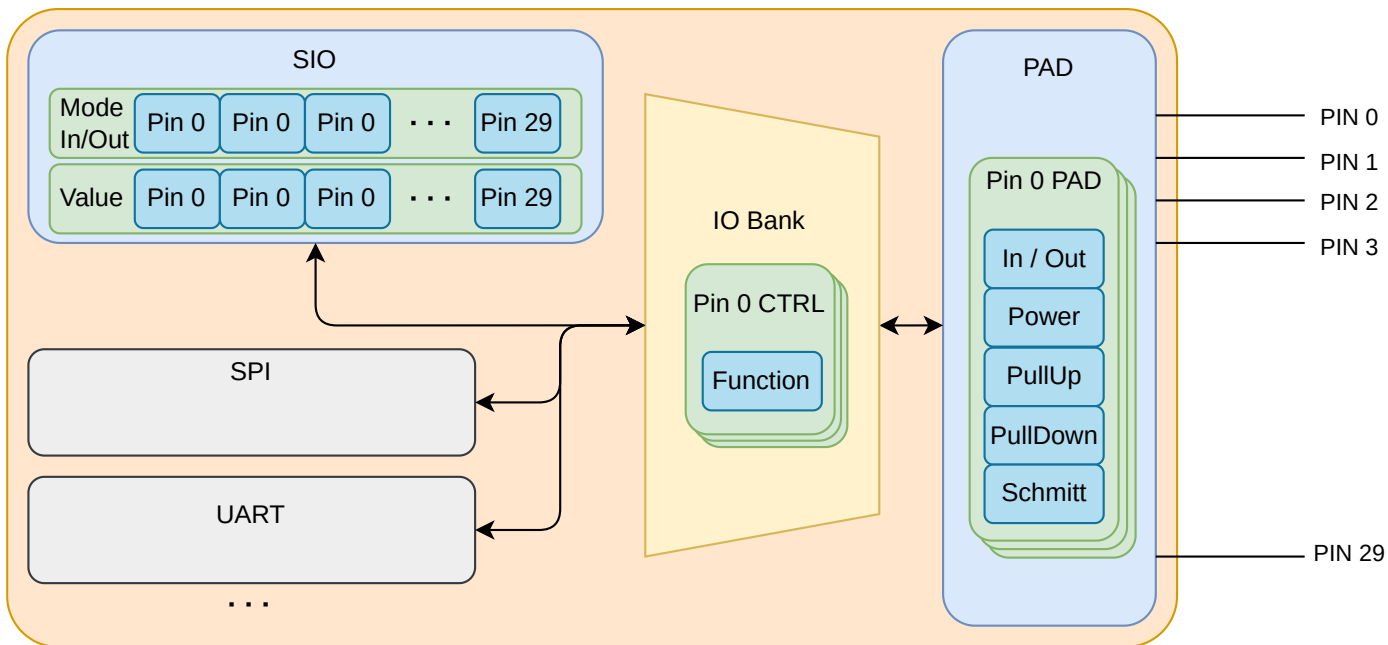
Raspberry Pi Ltd, *RP2040 Datasheet*

- Chapter 2 - *System Description*
 - Section 2.3 - *Processor subsystem*
 - Subsection 2.3.1 - *SIO*
 - Subsection 2.3.1.2 - *GPIO Control*
 - Section 2.4 - *Cortex-M0+* (except NVIC and MPU)
 - Section 2.19 - *GPIO* (except Interrupts)



RP2040 GPIO Pins

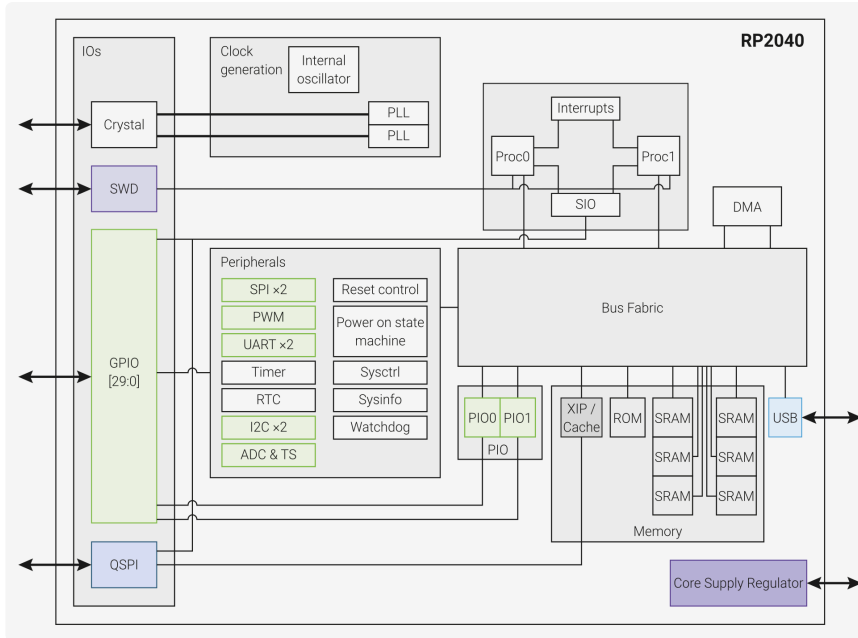
GPIO pins are connected to the processor pins through three peripherals





GPIO

Peripherals



SIO Single Cycle Input/Output, is able to control the GPIO pins

GPIO Multiplexes the functions of the GPIO pins



SIO: Set the pin as Input or Output

IO Bank (GPIO): Use the correct MUX function (F5)

PAD: Set the pin input and output parameters



SIO Registers

The SIO registers start at a base address of `0xd0000000` (defined as `SIO_BASE` in SDK).

Offset	Name	Info
0x000	CPUID	Processor core identifier
0x004	GPIO_IN	Input value for GPIO pins
0x008	GPIO_HI_IN	Input value for QSPI pins
0x010	GPIO_OUT	GPIO output value
0x014	GPIO_OUT_SET	GPIO output value set
0x018	GPIO_OUT_CLR	GPIO output value clear
0x01c	GPIO_OUT_XOR	GPIO output value XOR
0x020	GPIO_OE	GPIO output enable
0x024	GPIO_OE_SET	GPIO output enable set
0x028	GPIO_OE_CLR	GPIO output enable clear

- Input
 - set `GPIO_OE` bit `x` to 0
 - read `GPIO_IN` bit `x`
- Output
 - set `GPIO_OE` bit `x` to 1
 - write `GPIO_OUT` bit `x`

GPIO_OE

Bits	Description	Type	Reset
31:30	Reserved.	-	-
29:0	Set output enable (1/0 → output/input) for GPIO0...29. Reading back gives the last value written. If core 0 and core 1 both write to <code>GPIO_OE</code> simultaneously (or to a <code>SET/CLR/XOR</code> alias), the result is as though the write from core 0 took place first, and the write from core 1 was then applied to that intermediate result.	RW	0x00000000

GPIO_IN

Bits	Description	Type	Reset
31:30	Reserved.	-	-
29:0	Input value for GPIO0...29	RO	0x00000000

GPIO_OUT

Bits	Description	Type	Reset
31:30	Reserved.	-	-
29:0	Set output level (1/0 → high/low) for GPIO0...29. Reading back gives the last value written, NOT the input value from the pins. If core 0 and core 1 both write to <code>GPIO_OUT</code> simultaneously (or to a <code>SET/CLR/XOR</code> alias), the result is as though the write from core 0 took place first, and the write from core 1 was then applied to that intermediate result.	RW	0x00000000



SIO Input

The SIO registers start at a base address of `0xd0000000` (defined as `SIO_BASE` in SDK).

Offset	Name	Info
0x000	CPUID	Processor core identifier
0x004	GPIO_IN	Input value for GPIO pins
0x008	GPIO_HI_IN	Input value for QSPI pins
0x010	GPIO_OUT	GPIO output value
0x014	GPIO_OUT_SET	GPIO output value set
0x018	GPIO_OUT_CLR	GPIO output value clear
0x01c	GPIO_OUT_XOR	GPIO output value XOR
0x020	GPIO_OE	GPIO output enable
0x024	GPIO_OE_SET	GPIO output enable set
0x028	GPIO_OE_CLR	GPIO output enable clear

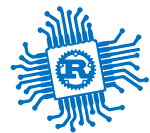
GPIO_OE

Bits	Description	Type	Reset
31:30	Reserved.	-	-
29:0	Set output enable (1/0 → output/input) for GPIO0...29. Reading back gives the last value written. If core 0 and core 1 both write to GPIO_OE simultaneously (or to a SET/CLR/XOR alias), the result is as though the write from core 0 took place first, and the write from core 1 was then applied to that intermediate result.	RW	0x00000000

GPIO_IN

Bits	Description	Type	Reset
31:30	Reserved.	-	-
29:0	Input value for GPIO0...29	RO	0x00000000

```
1 use core::ptr::read_volatile;
2 use core::ptr::write_volatile;
3
4 const GPIO_OE: *mut u32 = 0xd000_0020 as *mut u32;
5 const GPIO_IN: *const u32= 0xd000_0004 as *const u32;
6
7 let value = unsafe {
8     // write_volatile(GPIO_OE, !(1 << pin));
9     let mut gpio_oe = read_volatile(GPIO_OE);
10    // set bin `pin` of `gpio_oe` to 0 (input)
11    gpio_oe = gpio_oe & !(1 << pin);
12    write_volatile(GPIO_OE, gpio_oe);
13    read_volatile(GPIO_IN) >> pin & 0b1
14 };
```



SIO Input

The SIO registers start at a base address of `0xd0000000` (defined as `SIO_BASE` in SDK).

Offset	Name	Info
0x000	CPUID	Processor core identifier
0x004	GPIO_IN	Input value for GPIO pins
0x008	GPIO_HI_IN	Input value for QSPI pins
0x010	GPIO_OUT	GPIO output value
0x014	GPIO_OUT_SET	GPIO output value set
0x018	GPIO_OUT_CLR	GPIO output value clear
0x01c	GPIO_OUT_XOR	GPIO output value XOR
0x020	GPIO_OE	GPIO output enable
0x024	GPIO_OE_SET	GPIO output enable set
0x028	GPIO_OE_CLR	GPIO output enable clear

GPIO_OE_SET

Bits	Description	Type	Reset
31:30	Reserved.	-	-
29:0	Perform an atomic bit-clear on GPIO_OE, i.e. <code>GPIO_OE &= ~wdata</code>	WO	0x00000000

GPIO_IN

Bits	Description	Type	Reset
31:30	Reserved.	-	-
29:0	Input value for GPIO0...29	RO	0x00000000

```
1 use core::ptr::read_volatile;
2 use core::ptr::write_volatile;
3
4 const GPIO_OE_CLR: *mut u32= 0xd000_0028 as *mut u32;
5 const GPIO_IN: *const u32= 0xd000_0004 as *const u32;
6
7 let value = unsafe {
8     // set bit `pin` of `GPIO_OE` to 0 (input)
9     write_volatile(GPIO_OE_CLR, 1 << pin);
10    read_volatile(GPIO_IN) >> pin & 0b1
11 };
```



SIO Output

The SIO registers start at a base address of `0xd0000000` (defined as `SIO_BASE` in SDK).

Offset	Name	Info
0x000	CPUID	Processor core identifier
0x004	GPIO_IN	Input value for GPIO pins
0x008	GPIO_HI_IN	Input value for QSPI pins
0x010	GPIO_OUT	GPIO output value
0x014	GPIO_OUT_SET	GPIO output value set
0x018	GPIO_OUT_CLR	GPIO output value clear
0x01c	GPIO_OUT_XOR	GPIO output value XOR
0x020	GPIO_OE	GPIO output enable
0x024	GPIO_OE_SET	GPIO output enable set
0x028	GPIO_OE_CLR	GPIO output enable clear

GPIO_OE_CLR

Bits	Description	Type	Reset
31:30	Reserved.	-	-
29:0	Perform an atomic bit-clear on GPIO_OE, i.e. <code>GPIO_OE &= ~wdata</code>	WO	0x00000000

GPIO_OUT

Bits	Description	Type	Reset
31:30	Reserved.	-	-
29:0	Set output level (1/0 → high/low) for GPIO0..29. Reading back gives the last value written, NOT the input value from the pins. If core 0 and core 1 both write to GPIO_OUT simultaneously (or to a SET/CLR/XOR alias), the result is as though the write from core 0 took place first, and the write from core 1 was then applied to that intermediate result.	RW	0x00000000

```
1 use core::ptr::read_volatile;
2 use core::ptr::write_volatile;
3
4 const GPIO_OE_SET: *mut u32 = 0xd000_0024 as *mut u32;
5 const GPIO_OUT: *mut u32 = 0xd000_0010 as *mut u32;
6
7 unsafe {
8     // set bit `pin` of GPIO_OE to 1 (output)
9     write_volatile(GPIO_OE_SET, 1 << pin);
10    // write_volatile(GPIO_OUT, (value & 0b1) << pin);
11    let mut gpio_out = read_volatile(GPIO_OUT);
12    gpio_out = gpio_out | (value & 0b1) << pin;
13    write_volatile(GPIO_OUT, gpio_out);
14 }
```




SIO Output

efficient

The SIO registers start at a base address of `0xd0000000` (defined as `SIO_BASE` in SDK).

Offset	Name	Info
0x000	CPUID	Processor core identifier
0x004	GPIO_IN	Input value for GPIO pins
0x008	GPIO_HI_IN	Input value for QSPI pins
0x010	GPIO_OUT	GPIO output value
0x014	GPIO_OUT_SET	GPIO output value set
0x018	GPIO_OUT_CLR	GPIO output value clear
0x01c	GPIO_OUT_XOR	GPIO output value XOR
0x020	GPIO_OE	GPIO output enable
0x024	GPIO_OE_SET	GPIO output enable set
0x028	GPIO_OE_CLR	GPIO output enable clear

GPIO_OUT_SET

Bits	Description	Type	Reset
31:30	Reserved.	-	-
29:0	Perform an atomic bit-set on GPIO_OUT, i.e. <code>GPIO_OUT = wdata</code>	WO	0x00000000

GPIO_OUT_CLR

Bits	Description	Type	Reset
31:30	Reserved.	-	-
29:0	Perform an atomic bit-clear on GPIO_OUT, i.e. <code>GPIO_OUT &= ~wdata</code>	WO	0x00000000

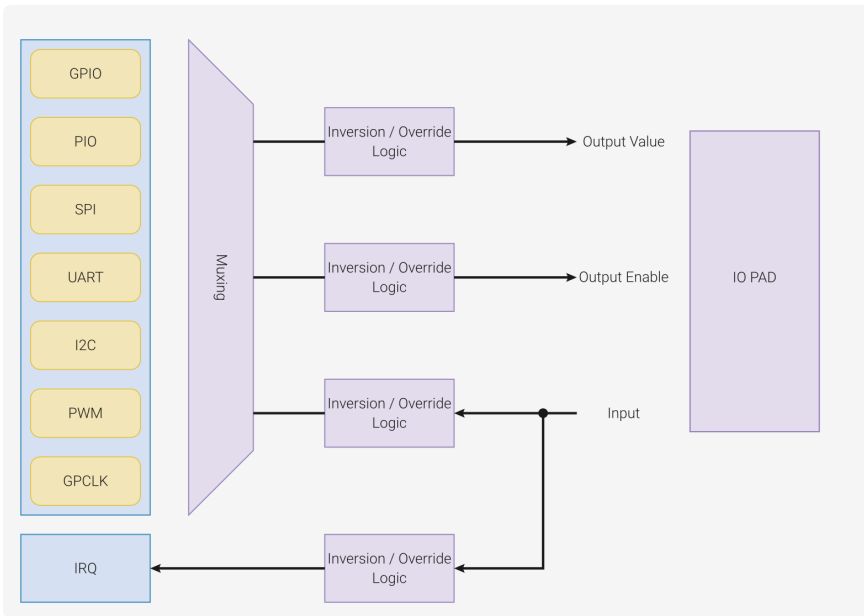
```
1 use core::ptr::read_volatile;
2 use core::ptr::write_volatile;
3
4 const GPIO_OE_SET: *mut u32= 0xd000_0024 as *mut u32;
5 const GPIO_OUT_SET:*mut u32= 0xd000_0014 as *mut u32;
6 const GPIO_OUT_CLR:*mut u32= 0xd000_0018 as *mut u32;
7
8 unsafe {
9     write_volatile(GPIO_OE_SET, 1 << pin);
10    let reg = match value {
11        0 => GPIO_OUT_CLR,
12        _ => GPIO_OUT_SET
13    };
14    write_volatile(reg, 1 << pin);
15 };
```



IO Bank

GPIOx_CTRL

Offset: 0x004, 0x00c, ... 0x0ec (0x4 + 8*x)



The User Bank IO registers start at a base address of 0x40014000 (defined as IO_BANK0_BASE in SDK).

Offset	Name	Info
0x000	GPIO0_STATUS	GPIO status
0x004	GPIO0_CTRL	GPIO control including function select and overrides.

Bits	Name	Description	Type	Reset
31:30	Reserved.	-	-	-
29:28	IRQOVER	0x0 → don't invert the interrupt 0x1 → invert the interrupt 0x2 → drive interrupt low 0x3 → drive interrupt high	RW	0x0
27:18	Reserved.	-	-	-
17:16	INOVER	0x0 → don't invert the peri input 0x1 → invert the peri input 0x2 → drive peri input low 0x3 → drive peri input high	RW	0x0
15:14	Reserved.	-	-	-
13:12	OEOVER	0x0 → drive output enable from peripheral signal selected by funcsel 0x1 → drive output enable from inverse of peripheral signal selected by funcsel 0x2 → disable output 0x3 → enable output	RW	0x0
11:10	Reserved.	-	-	-
9:8	OUTOVER	0x0 → drive output from peripheral signal selected by funcsel 0x1 → drive output from inverse of peripheral signal selected by funcsel 0x2 → drive output low 0x3 → drive output high	RW	0x0
7:5	Reserved.	-	-	-
4:0	FUNCSEL	Function select. 31 == NULL. See GPIO function table for available functions.	RW	0x1f

- set FUNCSEL to 5 (SIO)



IO Bank Input

The User Bank IO registers start at a base address of `0x40014000` (defined as `IO_BANK0_BASE` in SDK).

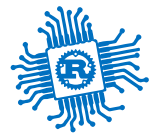
Offset	Name	Info
0x000	GPIO0_STATUS	GPIO status
0x004	GPIO0_CTRL	GPIO control including function select and overrides.

```
1 use core::ptr::read_volatile;
2 use core::ptr::write_volatile;
3
4 const GPIOX_CTRL: usize = 0x4001_4004;
5 const GPIO_OE_CLR: *mut u32 = 0xd000_0028 as *mut u32;
6 const GPIO_IN: *const u32 = 0xd000_0004 as *const u32;
7
8 let gpio_ctrl = (GPIOX_CTRL + 8 * pin) as *mut u32;
9
10 let value = unsafe {
11     write_volatile(gpio_ctrl, 5);
12     write_volatile(GPIO_OE_CLR, 1 <<< pin);
13     read_volatile(GPIO_IN) >> pin & 0b1
14 };
```

GPIOx_CTRL

Offset: `0x004`, `0x00c`, ... `0x0ec` ($0x4 + 8 * x$)

Bits	Name	Description	Type	Reset
31:30	Reserved.	-	-	-
29:28	IRQOVER	0x0 → don't invert the interrupt 0x1 → invert the interrupt 0x2 → drive interrupt low 0x3 → drive interrupt high	RW	0x0
27:18	Reserved.	-	-	-
17:16	INOVER	0x0 → don't invert the peri input 0x1 → invert the peri input 0x2 → drive peri input low 0x3 → drive peri input high	RW	0x0
15:14	Reserved.	-	-	-
13:12	OEOVER	0x0 → drive output enable from peripheral signal selected by funcsel 0x1 → drive output enable from inverse of peripheral signal selected by funcsel 0x2 → disable output 0x3 → enable output	RW	0x0
11:10	Reserved.	-	-	-
9:8	OUTOVER	0x0 → drive output from peripheral signal selected by funcsel 0x1 → drive output from inverse of peripheral signal selected by funcsel 0x2 → drive output low 0x3 → drive output high	RW	0x0
7:5	Reserved.	-	-	-
4:0	FUNCSEL	Function select. 31 == NULL. See GPIO function table for available functions.	RW	0x1f



IO Bank Output

The User Bank IO registers start at a base address of `0x40014000` (defined as `IO_BANK0_BASE` in SDK).

Offset	Name	Info
0x000	GPIO0_STATUS	GPIO status
0x004	GPIO0_CTRL	GPIO control including function select and overrides.

```
1 use core::ptr::read_volatile;
2 use core::ptr::write_volatile;
3
4 const GPIOX_CTRL: u32 = 0x4001_4004;
5 const GPIO_OE_SET: *mut u32 = 0xd000_0024 as *mut u32;
6 const GPIO_OUT_SET: *mut u32 = 0xd000_0014 as *mut u32;
7 const GPIO_OUT_CLR: *mut u32 = 0xd000_0018 as *mut u32;
8
9 let gpio_ctrl = (GPIOX_CTRL + 8 * pin) as *mut u32;
10 unsafe {
11     write_volatile(gpio_ctrl, 5);
12     write_volatile(GPIO_OE_SET, 1 << pin);
13     let reg = match value {
14         0 => GPIO_OUT_CLR,
15         _ => GPIO_OUT_SET
16     };
17     write_volatile(reg, 1 << pin);
18 };
```

GPIOx_CTRL

Offset: `0x004, 0x00c, ... 0x0ec` ($0x4 + 8 * x$)

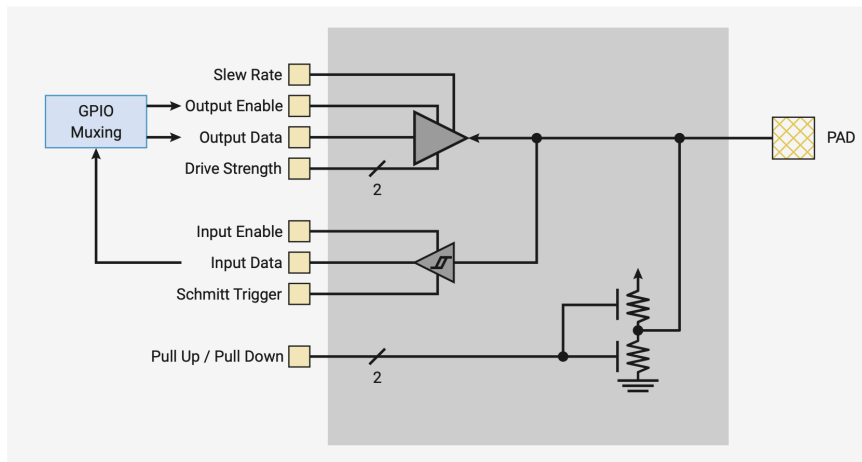
Bits	Name	Description	Type	Reset
31:30	Reserved.	-	-	-
29:28	IRQOVER	0x0 → don't invert the interrupt 0x1 → invert the interrupt 0x2 → drive interrupt low 0x3 → drive interrupt high	RW	0x0
27:18	Reserved.	-	-	-
17:16	INOVER	0x0 → don't invert the peri input 0x1 → invert the peri input 0x2 → drive peri input low 0x3 → drive peri input high	RW	0x0
15:14	Reserved.	-	-	-
13:12	OEOVER	0x0 → drive output enable from peripheral signal selected by funcsel 0x1 → drive output enable from inverse of peripheral signal selected by funcsel 0x2 → disable output 0x3 → enable output	RW	0x0
11:10	Reserved.	-	-	-
9:8	OUTOVER	0x0 → drive output from peripheral signal selected by funcsel 0x1 → drive output from inverse of peripheral signal selected by funcsel 0x2 → drive output low 0x3 → drive output high	RW	0x0
7:5	Reserved.	-	-	-
4:0	FUNCSEL	Function select. 31 == NULL. See GPIO function table for available functions.	RW	0x1f



Pad Control

GPIOx Register

Offset: 0x004, 0x008, ... 0x078 (0x4 + 4*x)



The User Bank Pad Control registers start at a base address of `0x4001c000` (defined as `PADS_BANK0_BASE` in SDK).

Offset	Name	Info
0x00	VOLTAGE_SELECT	Voltage select. Per bank control
0x04	GPIO0	Pad control register
0x08	GPIO1	Pad control register
0x0c	GPIO2	Pad control register
0x10	GPIO3	Pad control register
0x14	GPIO4	Pad control register
0x18	GPIO5	Pad control register

Bits	Name	Description	Type	Reset
31:8	Reserved.	-	-	-
7	OD	Output disable. Has priority over output enable from peripherals	RW	0x0
6	IE	Input enable	RW	0x1

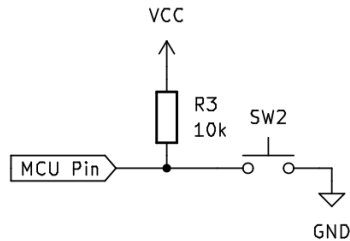
Bits	Name	Description	Type	Reset
5:4	DRIVE	Drive strength. 0x0 → 2mA 0x1 → 4mA 0x2 → 8mA 0x3 → 12mA	RW	0x1
3	PUE	Pull up enable	RW	0x0
2	PDE	Pull down enable	RW	0x1
1	SCHMITT	Enable schmitt trigger	RW	0x1
0	SLEWFAST	Slew rate control. 1 = Fast, 0 = Slow	RW	0x0



Input

read the value from pin x

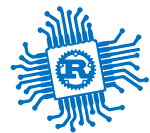
- set the `FUNCSEL` field of `GPIOx_CTRL` to `5`
- set the `GPIO_OE_CLR` bit x to `1`
- read the `GPIO_IN` bit x
- *adjust the `GPIOx` fields to set the pull up/down resistor*



Output

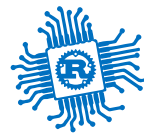
write a value to pin x

- set the `FUNCSEL` field of `GPIOx_CTRL` to `5`
- set the `GPIO_OE_SET` bit x to `1`
- if the value
 - is `0`, set the `GPIO_OUT_CLR` bit x to `1`
 - is `1`, set the `GPIO_OUT_SET` bit x to `1`
- *adjust the `GPIOx` fields to set the output current*



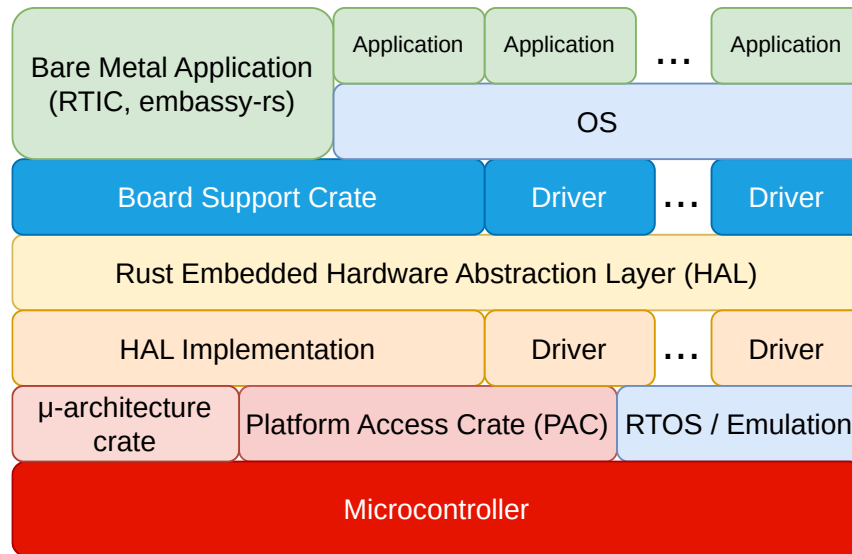
Rust Embedded HAL

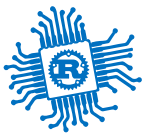
The Rust API for embedded systems



The Rust Embedded Stack

Framework	Tasks, Memory Management, Network etc. <code>embassy-rs</code> , <code>rtic</code>
BSC	Board Support Crate <code>embassy-rp</code> , <code>rp-pico</code>
<i>HAL Implementation</i>	Uses the PAC and exports a standard HAL towards the upper levels <code>embassy-rp</code>
PAC	Accesses registers, usually created automatically from SVD files - <code>rp2040_pac</code> , <code>rp-pac</code>





GPIO HAL

A set of standard traits

All devices should implement these traits for GPIO.

```
1 pub enum PinState {
2     Low,
3     High,
4 }
```

Input

```
pub trait InputPin: ErrorType {
    // Required methods
    fn is_high(&mut self) -> Result<bool, Self::Error>;
    fn is_low(&mut self) -> Result<bool, Self::Error>;
}
```

Output

```
pub trait OutputPin: ErrorType {
    // Required methods
    fn set_low(&mut self) -> Result<(), Self::Error>;
    fn set_high(&mut self) -> Result<(), Self::Error>;

    // Provided method
    fn set_state(&mut self, state: PinState) -> Result<(), Self::Error>;
}
```



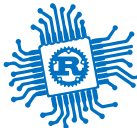
Bare metal

This is how a Rust application would look like

```
1  #![no_std]
2  #![no_main]
3
4  use cortex_m_rt::entry;
5  use core::panic::PanicInfo;
6
7  #[entry]
8  fn main() -> ! {
9      // your code goes here
10
11     loop { }
12 }
13
14 #[panic_handler]
15 pub fn panic(_info: &PanicInfo) -> ! {
16     loop { }
17 }
```

Rules

1. never exit the `main` function
2. add a panic handler that does not exit

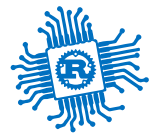


Bare metal without PAC & HAL

This is how a Rust application would look like

```
1  #![no_std]
2  #![no_main]
3
4  use core::ptr::{read_volatile, write_volatile};
5  use cortex_m_rt::entry;
6  use core::panic::PanicInfo;
7
8  const GPIOX_CTRL: u32 = 0x4001_4004;
9  const GPIO_OE_SET: *mut u32 = 0xd000_0024 as *mut u32;
10 const GPIO_OUT_SET: *mut u32 = 0xd000_0014 as *mut u32;
11 const GPIO_OUT_CLR: *mut u32 = 0xd000_0018 as *mut u32;
12
13 #[panic_handler]
14 pub fn panic(_info: &PanicInfo) -> ! {
15     loop { }
16 }
```

```
18 #[entry]
19 fn main() -> ! {
20     let gpio_ctrl = (GPIOX_CTRL + 8 * pin) as *mut u32;
21     unsafe {
22         write_volatile(gpio_ctrl, 5);
23         write_volatile(GPIO_OE_SET, 1 << pin);
24         let reg = match value {
25             0 => GPIO_OUT_CLR,
26             _ => GPIO_OUT_SET
27         };
28         write_volatile(reg, 1 << pin);
29     };
30
31     loop { }
32 }
```



embassy-rs

Embedded Asynchronous



embassy-rs

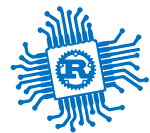
- framework
- uses the rust-embedded-hal
- Features
 - Real-time
 - Low power
 - Networking
 - Bluetooth
 - USB
 - Bootloader and DFU



GPIO Input

```
1  #![no_std]
2  #![no_main]
3
4  use embassy_executor::Spawner;
5  use embassy_rp::gpio;
6  use gpio::{Input, Pull};
7
8  #[embassy_executor::main]
9  async fn main(_spawner: Spawner) {
10     let p = embassy_rp::init(Default::default());
11     let pin = Input::new(p.PIN_3, Pull::Up);
12
13     if pin.is_high() {
14
15     } else {
16
17     }
18 }
```

The `main` function is called by the embassy-rs framework, so it can exit.



GPIO Output

```
1  #![no_std]
2  #![no_main]
3
4  use embassy_executor::Spawner;
5  use embassy_rp::gpio;
6  use gpio::{Level, Output};
7
8  #[embassy_executor::main]
9  async fn main(_spawner: Spawner) {
10     let p = embassy_rp::init(Default::default());
11     let mut pin = Output::new(p.PIN_2, Level::Low);
12
13     pin.set_high();
14 }
```

The `main` function is called by the embassy-rs framework, so it can exit.



Signals

Digital Signals - Recap



Signals

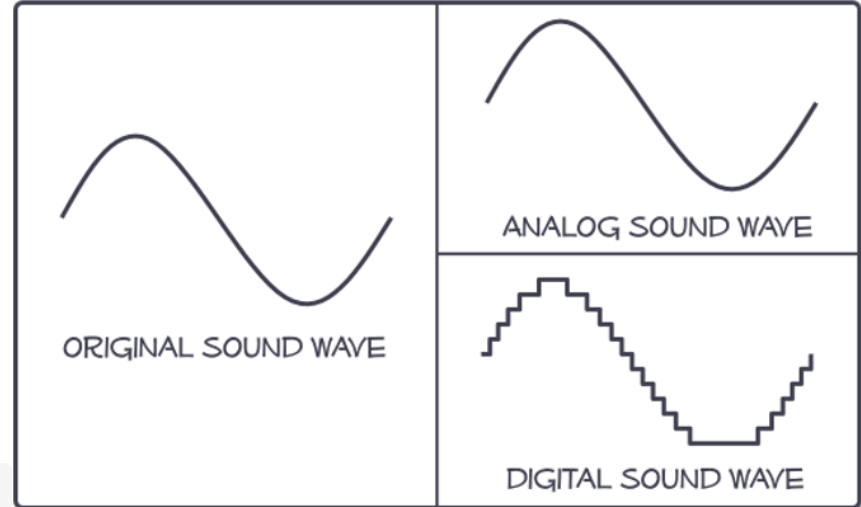
Analog vs Digital

- *analog signals* are *real signals*
- *digital signals* are a *numerical representation* of an analog signal (software level)
- hardware usually works with two-level digital signals (hardware level)

Exceptions

- in wireless and in high-speed cable communication things get more complicated

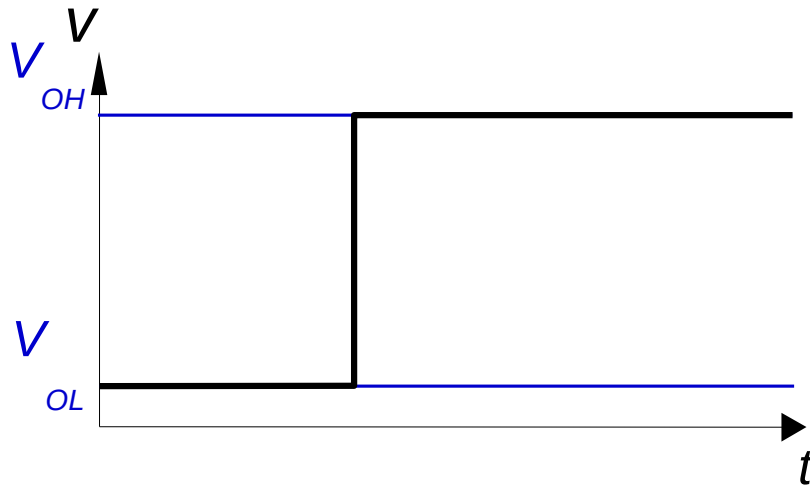
for PCB level / between integrated circuits on the same board / inside the same chip - things are a "a little simpler" - as detailed in the following



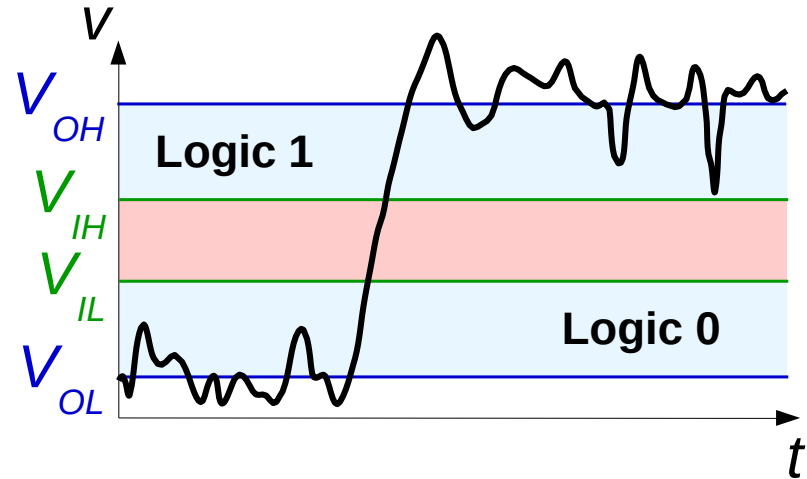


Why use digital in computing?

Signal that we *want* to generate with an output pin



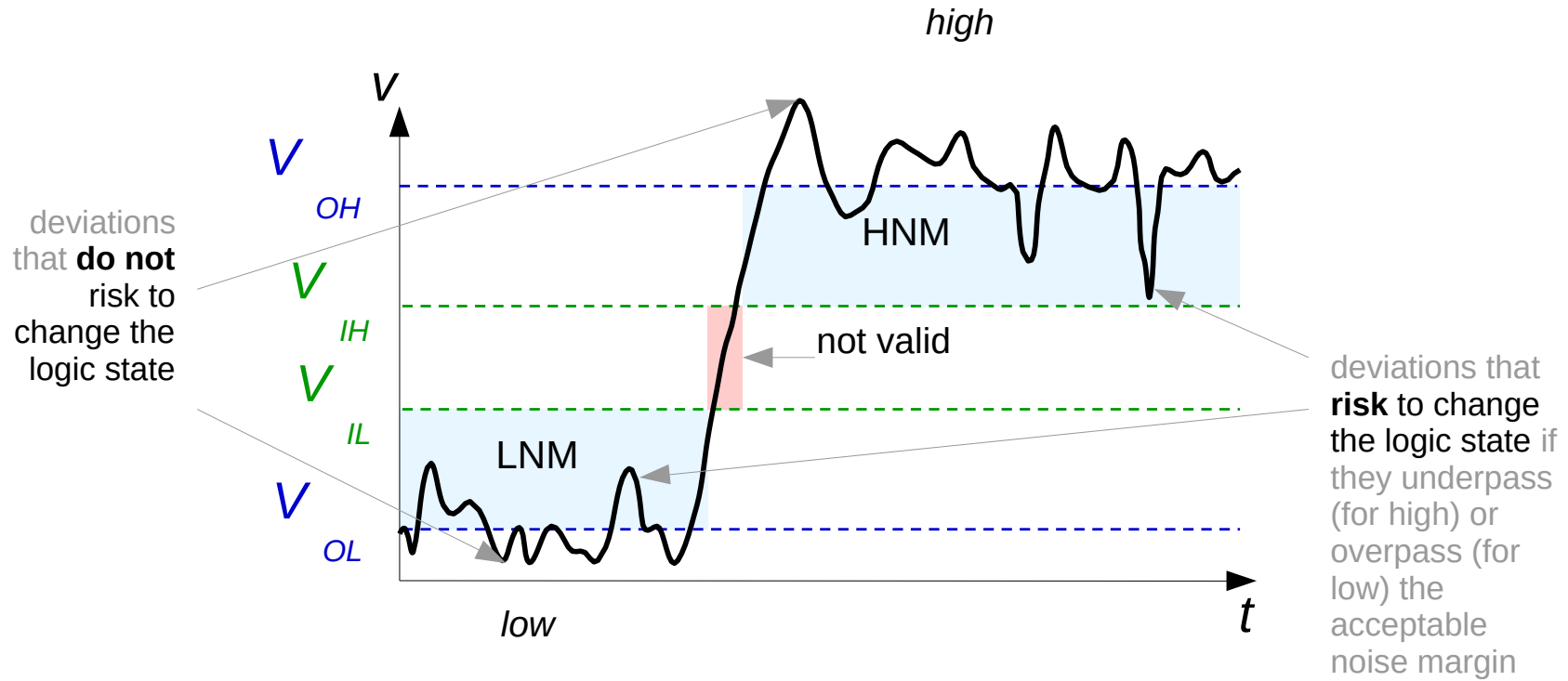
Signal that what we actually generate



Why we still use it? Because after passing through an IC or a gate inside an IC - the signal is "rebuilt" and if the "digital discipline" described in the following is respected - we can preserve the information after numerous "passes". Thus, each element can behave with a large margin for error, yet the final result is correct.



Noise Margin

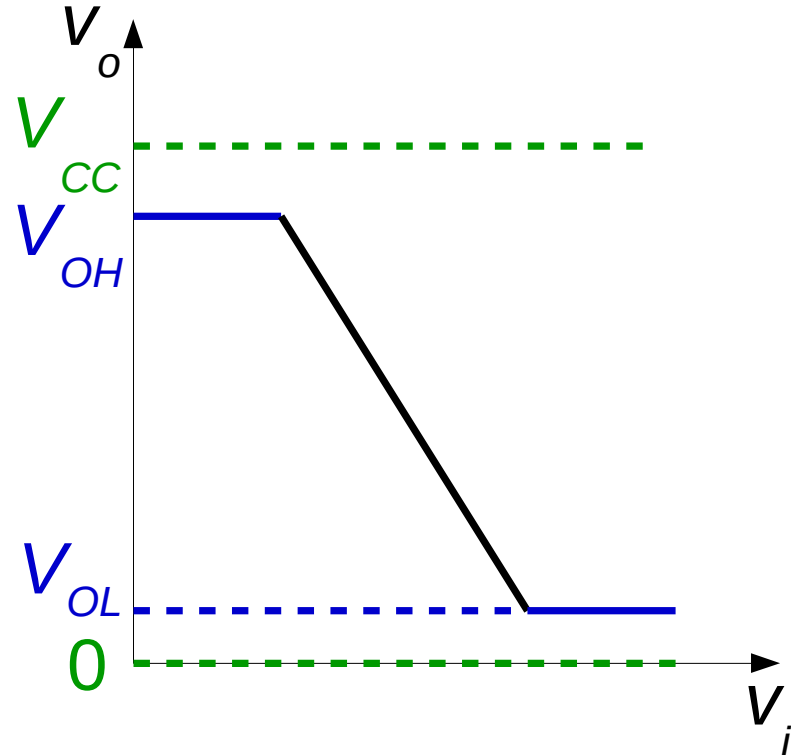


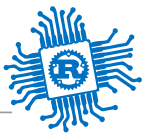


Why is the output not ideal?

The two corresponding voltage output levels are affected by:

- power supply voltage
- output current
- temperature
- variations in the manufacturing process





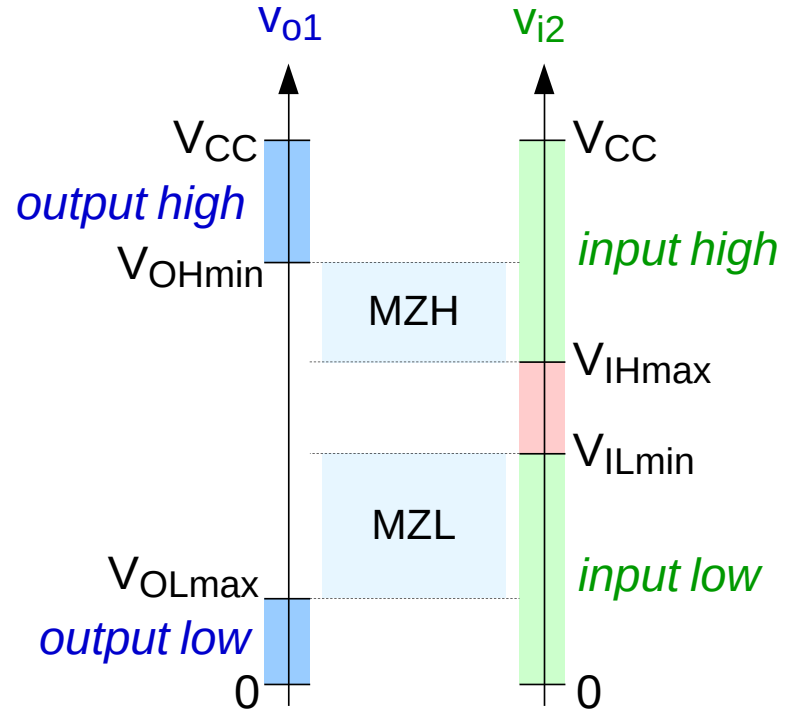
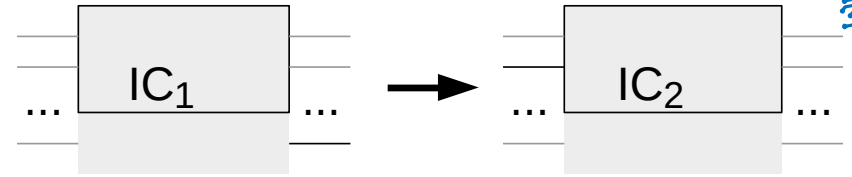
ICs same voltage

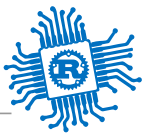
Usually will work as is

- usually, they will be compatible
- conditions:

$$V_{OH_transmitter} > V_{IH_receiver}$$

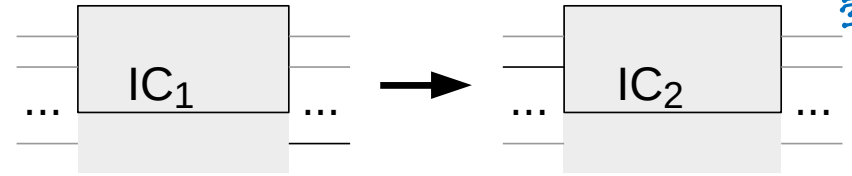
$$V_{OL_transmitter} < V_{IL_receiver}$$





VCC1 > VCC2

Might work, might produce magic smoke



$$V_{OH_transmitter} > V_{CC_receiver}$$

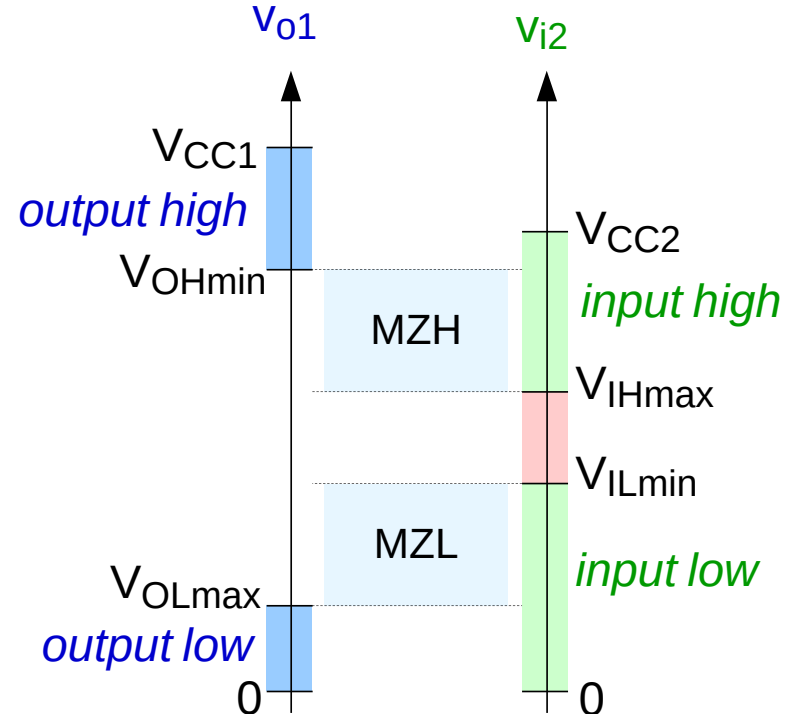
PROBLEM

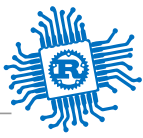
Solutions:

- level shifter
- resistor divider / voltage limiter

Examples:

- Bi-Directional Level Shifter with 4 Channels
- Level Shifter Multi-Channel
- 8 Channels Level Shifter





VCC1 < VCC2

Might work

$$V_{CC_transmitter} \lesssim V_{IH_receiver}$$

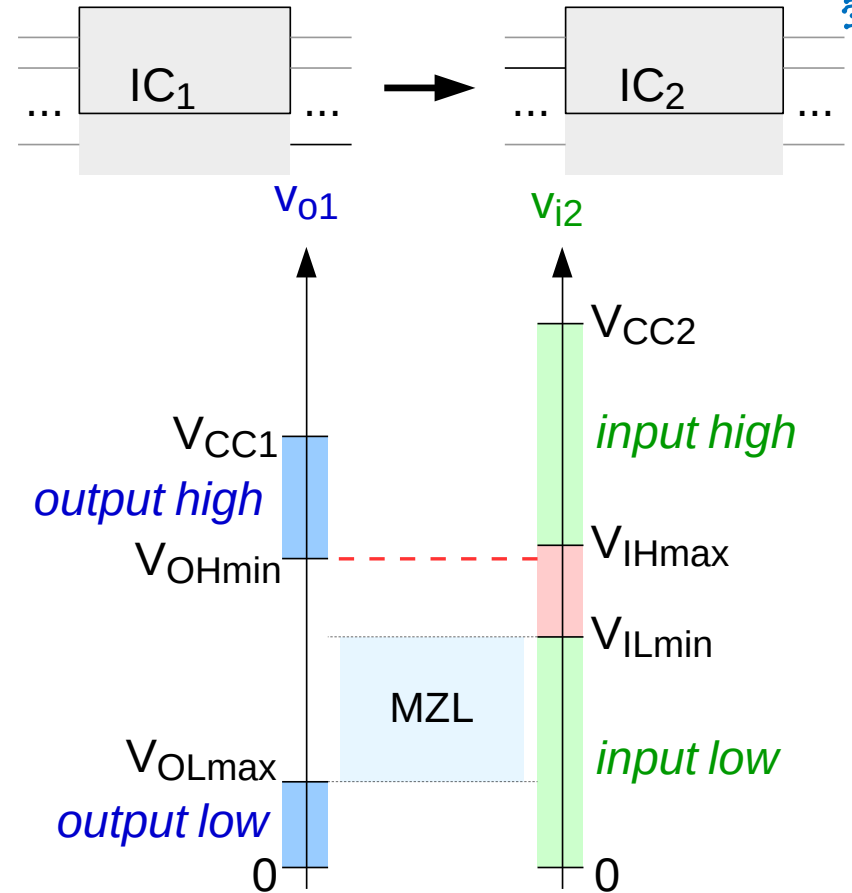
Might work in an intermittent mode - hard to debug!

Solutions:

- level shifter
- resistor divider / voltage limiter

Examples:

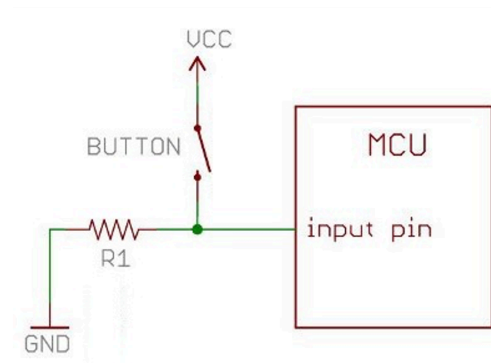
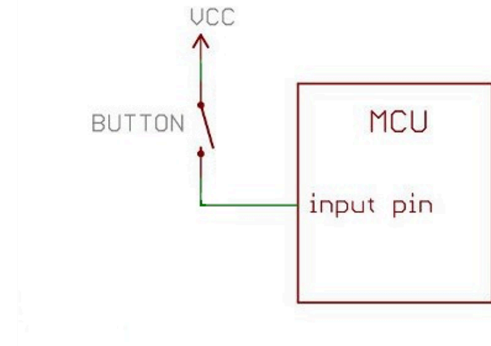
- Bi-Directional Level Shifter with 4 Channels
- Level Shifter Multi-Channel
- 8 Channels Level Shifter





Why Pull-Down R

- Without pull-down – when the button is not pressed, it leaves the input pin floating.
- The second design ensures that the voltage level has a well-defined state, regardless of the button's state.
- R1 is called a "pull-down" resistor.



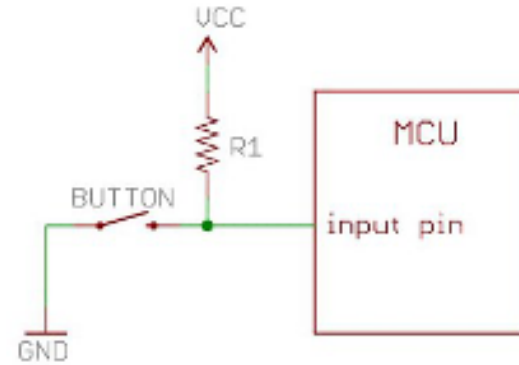


Why Pull-Up R

- Same reasoning
- R1 is called a "pull-up" resistor.

##Obs:

- most microcontrollers have at least a pull-up resistor incorporated on GPIOs - that can be activated in software
- some have both pull-up and pull-down
- typically, these are sized for a 50 - 10 nA current consumption



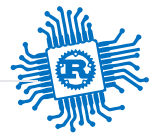


Notes on output pins

- most microcontrollers have a limit of around 10mA per output PIN
- ! do not connect an LED without a resistor in series (to limit the current)
- ! do not connect a motor / any type of inductive load

Solutions:

- use a transistor
- use an IC with incorporated Darlingtontons (eg: ULN2003)



Conclusion

we talked about

- Memory Mapped IO
- RP2040 GPIO
 - Single Cycle IO
 - IO Bank
 - Pad
- The Rust embedded standard stack
- Bare metal Rust
- The embassy-rs framework